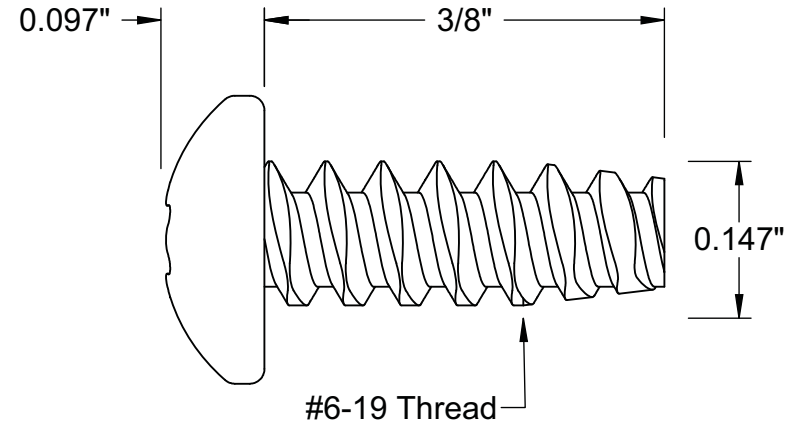
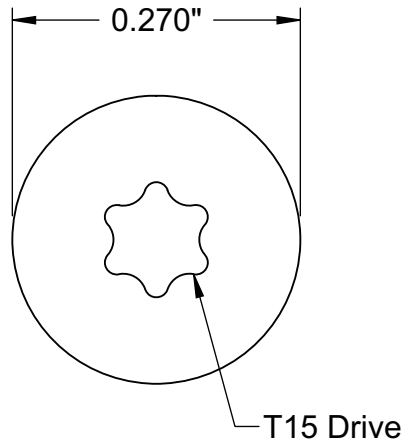
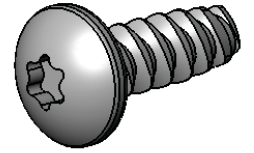


FETCO PN 1082.00083.00



**McMASTER-CARR** CAD

PART  
NUMBER

**96001A260**

<http://www.mcmaster.com>  
© 2013 McMaster-Carr Supply Company

Thread-Forming Screw  
for Plastics

Information in this drawing is provided for reference only.