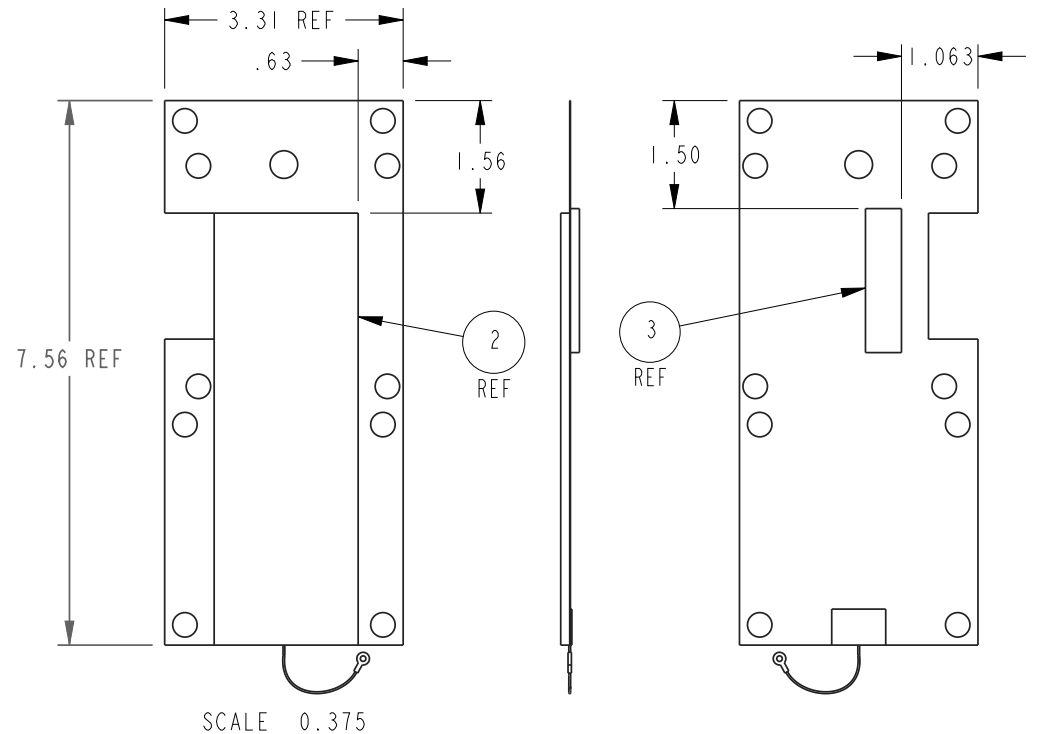
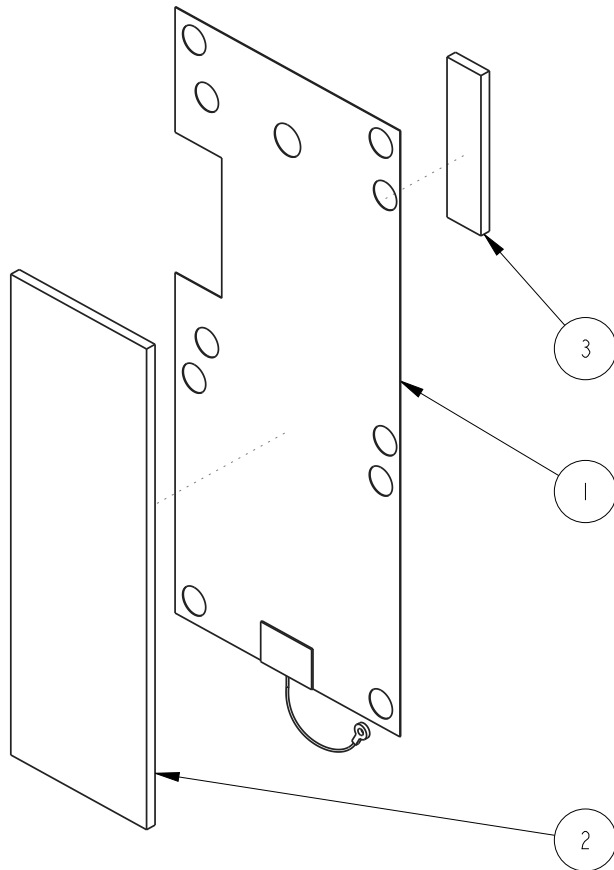


NOTES:

1. DRAWING TO BE INTERPRETED IN ACCORDANCE WITH THE CURRENT REVISION OF ASME Y14.5M.
2. TSI TO BE INTERPRETED AS THEORETICAL SHARP INTERSECTION.
3. PARTS SHALL BE FREE OF ALL CONTAMINANTS INCLUDING GREASE DIRT, MACHINING OIL AND OTHER CONTAMINANTS.
4. PARTS SHALL BE PACKAGE IN A MANNER TO PREVENT SCRATCHING, BOWING OR OTHER DAMAGE DURING SHIPMENT.
5. PURCHASED FROM:
VENDOR P/N: 1102.00367.00



REVISIONS

REV	DATE	ECO NO	DESCRIPTION	BY:	A
A	11/30/2016	N/A	ORIGINAL	E.FORONDA	

ITEM NO	QTY	PART NO	DESCRIPTION
3	1	1022.00076.00	R-I FOAM INSULATION TAPE, 2" WIDE x 1/2" LG.
2	1	1022.00075.00	R-I FOAM INSULATION TAPE, 2" WIDE x 6" LG.
1	1	1057.00053.00	EMI SHIELD, CONTROL BOARD, CBS-2100

BILL OF MATERIALS

TOLERANCES UNLESS OTHERWISE SPECIFIED	FETCO FOOD EQUIPMENT TECHNOLOGIES COMPANY 600 ROSE ROAD, LAKE ZURICH, IL 60047, USA PHONE: (800) 338-2699 FAX: (847) 719-3001 E-MAIL: engineering@fetco.com www.fetco.com		
	DRAWING NAME: ASSEMBLY, EMI SHIELD, CBS-2100		
ALL DIMENSIONS IN INCHES	CREATED BY: E.FORONDA	DATE 11/30/2016	DRAWING NO 1102.00367.00
	DRAWING BY: E.FORONDA	SCALE 0.500	REVISION A
ALL DECIMAL ± .005" ANGULAR ± 1/2°	APP'D BY: AG	SHEETS 1 of 1	
THIRD-ANGLE	MATERIAL PURCHASED	GAUGE N/A	FINISH N/A