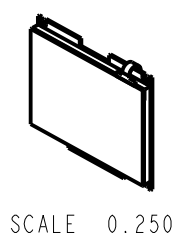


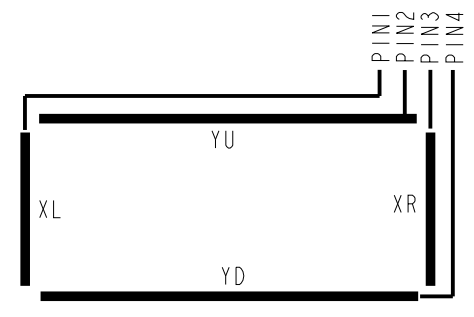
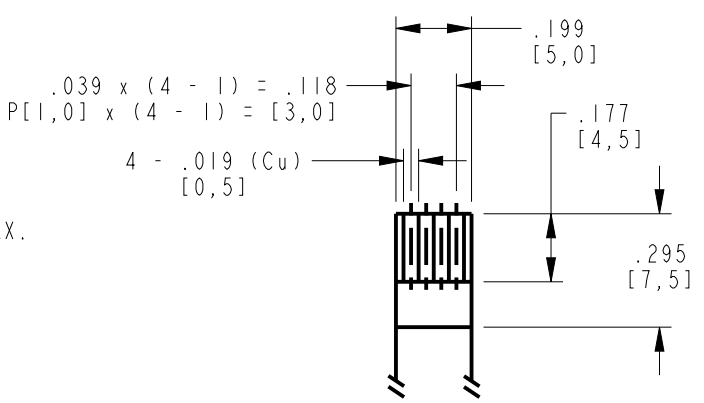
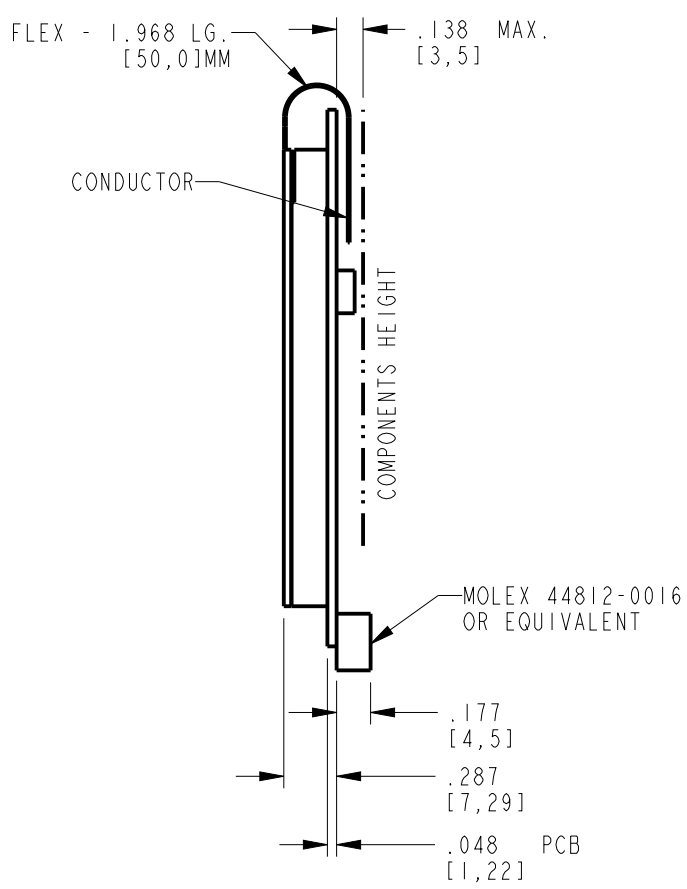
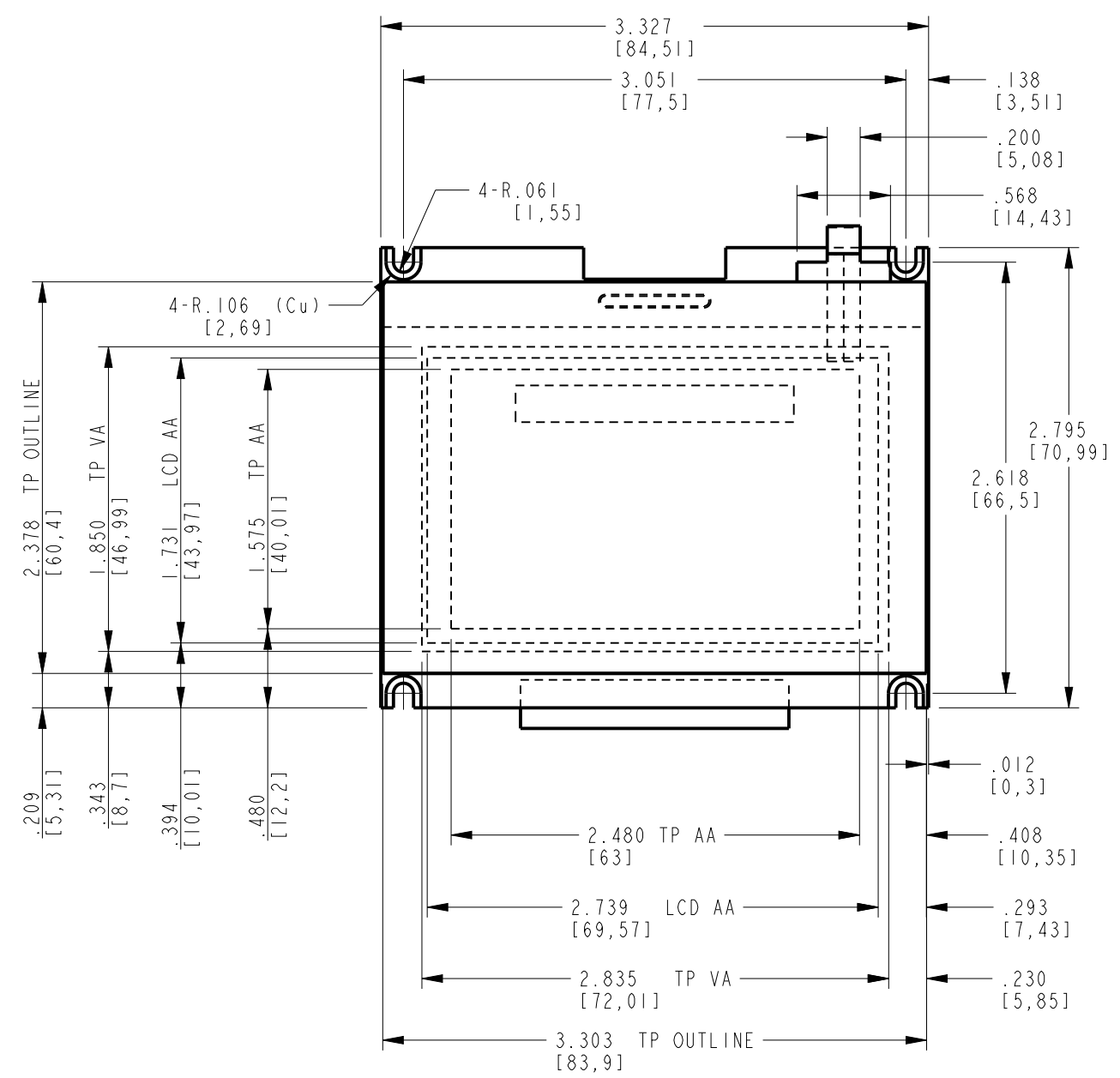
NOTES:

1. CHANGE OF MATERIAL IS NOT PERMITTED UNLESS APPROVED IN WRITING BY FETCO PERSONNEL.
2. DRAWING TO BE INTERPRETED IN ACCORDANCE WITH THE CURRENT REVISION OF ASME Y14.5M.
3. TSI TO BE INTERPRETED AS THEORETICAL SHARP INTERSECTION.
4. PARTS SHALL BE FREE OF ALL CONTAMINANTS INCLUDING GREASE, DIRT, MACHINING OIL AND OTHER CONTAMINANTS.
5. PARTS SHALL BE PACKAGED IN A MANNER TO PREVENT SCRATCHING, BOWING OR OTHER DAMAGE DURING SHIPMENT.
6. PURCHASED FROM: SHENZHEN TOPWAY TECHNOLOGY CO. LTD
VENDOR P/N: MK-XXXXXX-1-1



REVISIONS				
REV	DATE	ECO NO	DESCRIPTION	BY:
A	12/17/2010	N/A	ORIGINAL	DK
B	02/29/2016	N/A	DIMENSIONS OF TOUCH PANEL ACTIVE AREA CHANGED	MK

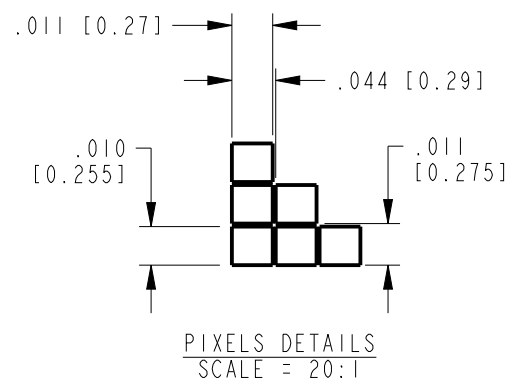
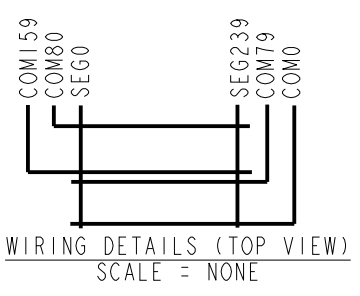
B



TERMINAL	
NR	PIN NAME
1	VDD
2	VSS
3	/CS
4	RS
5	/WR
6	/RD
7	DB0
8	DB1
9	DB2
10	DB3
11	DB4
12	DB5
13	DB6
14	DB7
15	/RST
16	BLA

SPECIFICATION NOTES:

1. LCD DISPLAY TYPE: FSTN, NEGATIVE, TRANSMISIVE
2. VIEWING DIRECTION: 3H
3. DUTY: 1/160, BIAS: 1/12
4. OPERATING VOLTAGE: 3.3V
5. BACKLIGHT COLOR: WHITE
6. BACKLIGHT SUPPLY: 3.3V TYP
7. OPERATING TEMPERATURE: -20°C ~ 70°C
8. STORAGE TEMPERATURE: -30°C ~ 80°C



TOLERANCES		FETCO FOOD EQUIPMENT TECHNOLOGIES COMPANY	
UNLESS OTHERWISE SPECIFIED		600 ROSE ROAD, LAKE ZURICH, IL 60047, USA	
ALL DIMENSIONS IN INCHES		PHONE: (800) 338-2699 FAX: (847) 719-3001	
ALL DECIMAL ± .005"		E-MAIL: engineering@fetco.com www.fetco.com	
ANGULAR ± 1/2°		DRAWING NAME: DISPLAY, TOUCH SCREEN	
THIRD-ANGLE	CREATED BY: DK	DATE: 12/17/2010	DRAWING NO. 1058.00021.00
MATERIAL N/A	DRAWING BY: MK	SCALE: 1.000	REVISION B
	APP'D BY: LMW	SHEETS: 1 of 1	
		GAUGE: N/A	FINISH: N/A