

Note:

Electrical:

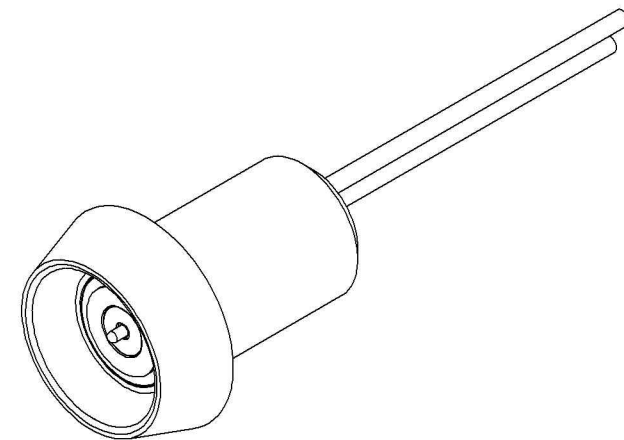
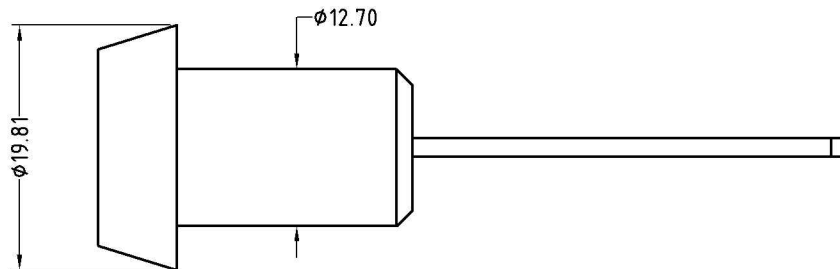
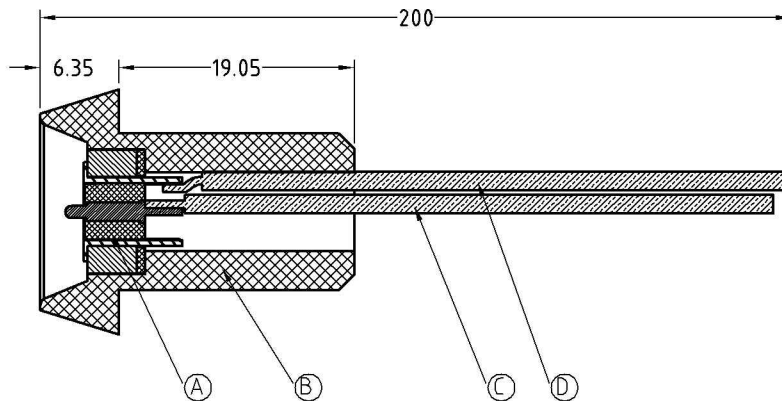
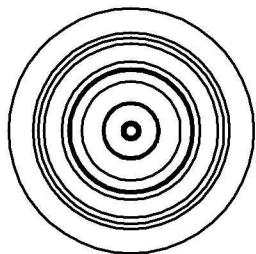
.Rated current & voltage: DC 24V; 3A MAX

.Contact resistance: 50 milliohm Max.

To ensure the best usage, please operate it based on the working height.
Based on the engineering drawings, shall not exceed the maximum allowed compression.



Approve Sign



BOM		
序号	规格	数量
A	142磁铁加pogopin针接头	1
B	主体胶芯	1
C	20AWG OD2.0 红色特氟龙 FEP外被	1
D	20AWG OD2.0 黑色特氟龙 FEP外被	1

SCALE	10:1	UNIT:mm	THIS DOCUMENT IS THE SOLE PROPERTY OF CFE CORPORATION CO.,LTD., AND SHOULD NOT BE USED IN WHOLE OR IN PART WITHOUT PRIOR WRITTEN PERMISSION.	
ANGEL	±1°	A4	SHEET: 1 of 1	
0~6	±0.05		PART NO.	CM-BP14Z11-0100H0C
6~30	±0.10	DRAW	FILE NAME	BP14ZXX
30~150	±0.15	CHECK	TITLE	Pogo pin connector
GENERAL TOLERANCE UNLESS OTHERWISE NOTED		APPRO		

CFE 东莞市川富电子有限公司
CFE CORPORATION CO.,LTD.

ECN(DCN) NO.	REV	DATE	DESCRIPTION
	D0	2013.05.30	NEW