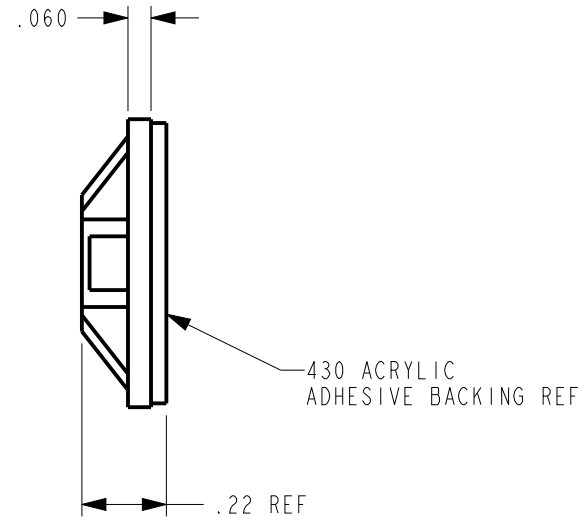
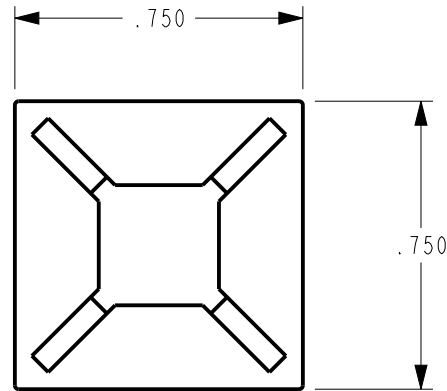


NOTES:

1. CHANGE OF MATERIAL IS NOT PERMITTED UNLESS APPROVED IN WRITING BY FETCO PERSONNEL.
2. DRAWING TO BE INTERPRETED IN ACCORDANCE WITH THE CURRENT REVISION OF ASME Y14.5M.
3. TSI TO BE INTERPRETED AS THEORETICAL SHARP INTERSECTION.
4. PARTS SHALL BE FREE OF ALL CONTAMINANTS INCLUDING GREASE, DIRT, MACHINING OIL AND OTHER CONTAMINANTS.
5. PARTS SHALL BE PACKAGED IN A MANNER TO PREVENT SCRATCHING, BOWING OR OTHER DAMAGE DURING SHIPMENT.
6. VENDOR: FOREMOST FASTENERS
VENDOR P/N: CAB075SATMN
CERTIFICATION: UL
ROHS COMPLIANT



SPECIFICATIONS:

1. MATERIAL: NYLON 6/6
2. FLAMMABILITY RATING: 94V-2
3. MATERIAL TEMP. INDEX: 85°C (185°F)
4. 430 ACRYLIC BASED ADHESIVE BACKING WILL HOLD IN TEMPERATURES UP TO 70°C (158°F) LONG TERM
5. APPLY TO CLEAN, DRY SURFACE

PROPRIETARY AND CONFIDENTIAL.
THE INFORMATION CONTAINED IN THIS DRAWING IS THE SOLE PROPERTY OF FETCO.
ANY REPRODUCTION IN PART OR AS A WHOLE WITHOUT THE WRITTEN PERMISSION OF FETCO IS PROHIBITED.

REVISIONS

REV	DATE	ECO NO	DESCRIPTION	BY:	A
A	05/28/2010	N/A	ORIGINAL	DP	

TOLERANCES		FETCO ® FOOD EQUIPMENT TECHNOLOGIES COMPANY 600 ROSE ROAD, LAKE ZURICH, IL 60047, USA PHONE: (800) 338-2699 FAX: (847) 719-3001 E-MAIL: engineering@fetco.com www.fetco.com	
UNLESS OTHERWISE SPECIFIED	DRAWING NAME: MOUNT, TIE, .75' X .75" ADHESIVE		
ALL DIMENSIONS IN INCHES	CREATED BY: DP	DATE 05/28/2010	DRAWING NO 1029.00005.00
ALL DECIMAL ± .005" ANGULAR ± 1/2°	DRAWING BY: E. FORONDA	SCALE 2.000	REVISION A
THIRD-ANGLE	APP'D BY: AG	SHEETS 1 of 1	
MATERIAL PURCHASED	GAUGE N/A	FINISH N/A	