

FETCO PN 1024.00073.00



(630) 833-0300
(630) 834-9427 (fax)
chi.sales@mcmaster.com
Text 75420

Neoprene Rubber Washer

1/2" Screw Size, 1-1/16" OD, .093" Thick

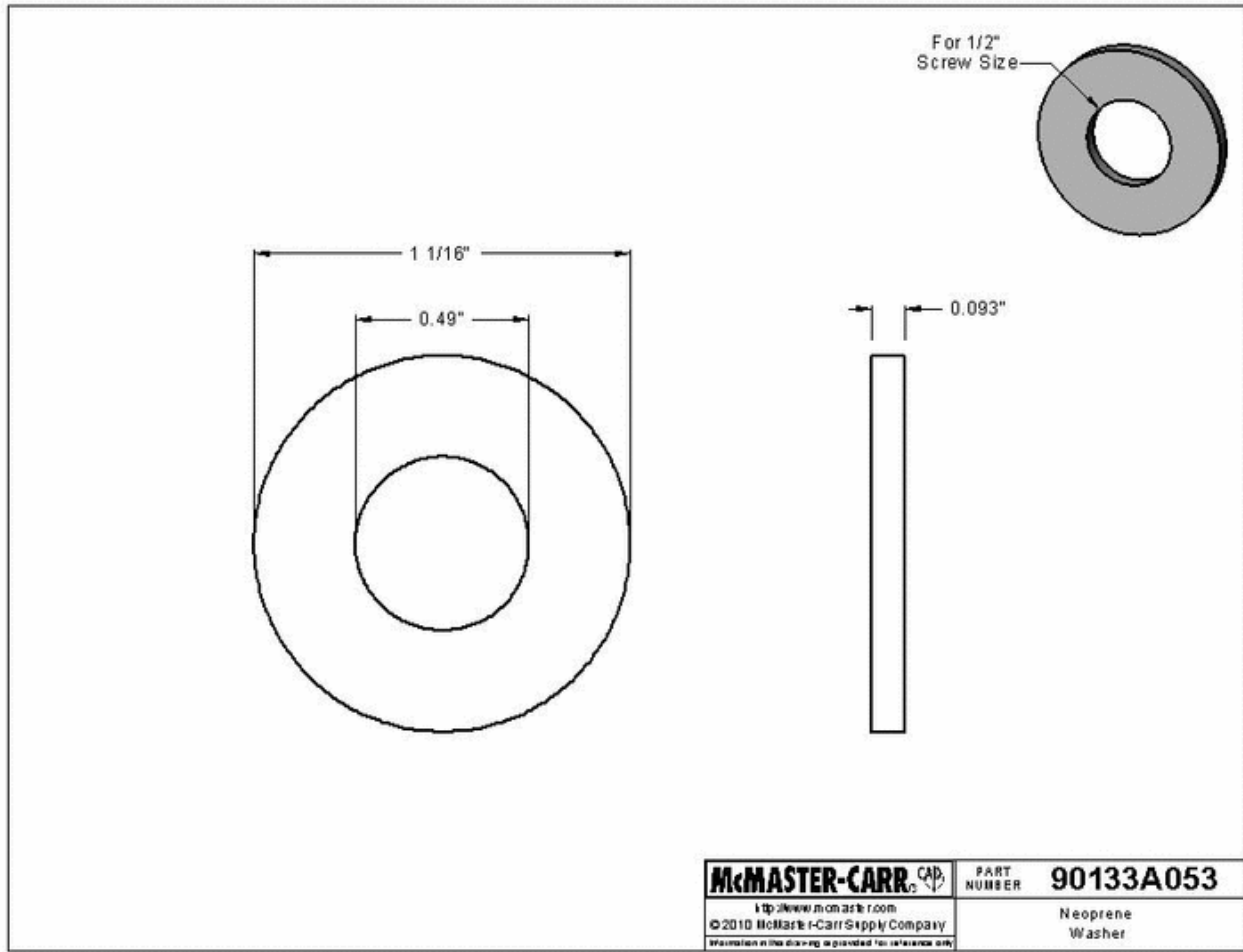
In stock
\$11.59 per pack of 50
90133A053



Material	Neoprene
Screw Size	1/2"
ID	0.49"
OD	1 1/16"
Additional Specifications	0.093" Thick

Choose these weather resistant, black rubber washers for superior cushioning, sealing, and vibration damping.

Neoprene—These abrasion resistant all-purpose washers are resistant to flame, oil, and contact with many chemicals. They have a durometer hardness of 55A-65A and a temperature range of -30° to +220° F. Thickness tolerance is ± 0.015 ".



The information in this 3-D model is provided for reference only.