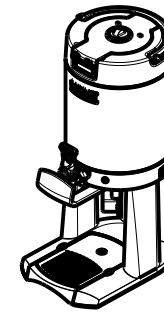
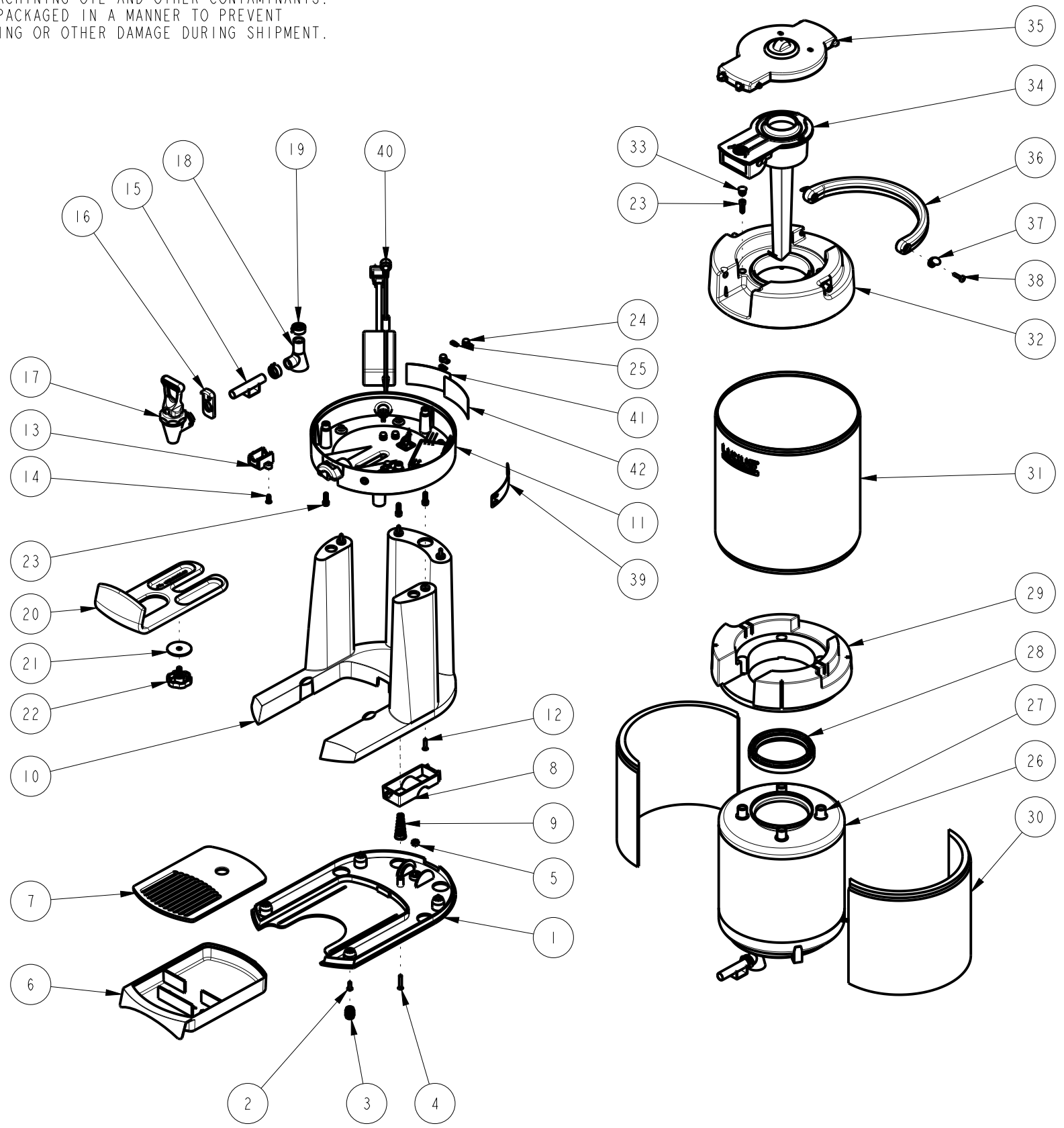


NOTES:

1. DRAWING TO BE INTERPRETED IN ACCORDANCE WITH THE CURRENT REVISION OF ASME Y14.5M.
2. TSI TO BE INTERPRETED AS THEORETICAL SHARP INTERSECTION
3. PARTS SHALL BE FREE OF ALL CONTAMINANTS INCLUDING GREASE, DIRT, MACHINING OIL AND OTHER CONTAMINANTS.
4. PARTS SHALL BE PACKAGED IN A MANNER TO PREVENT SCRATCHING, BOWING OR OTHER DAMAGE DURING SHIPMENT.



SCALE 0.062



REVISIONS

| REV | DATE | ECO NO | DESCRIPTION | BY: | D |
|-----|------------|--------|--|-----------|---|
| A | 10/16/2014 | N/A | ORIGINAL | MK | |
| B | 01/13/2015 | N/A | DRAWING REVISED PER PART CHANGES | E.FORONDA | |
| C | 05/05/2015 | N/A | RE-POSITION 3 ITEMS FROM MAIN ASS'Y. TO LINER ASS'Y.; ADDED ITEM 40 & 41 | E.FORONDA | |
| D | 05/18/2015 | N/A | REMOVE ITEM 21 & 23: REPOSITION TO 1102.00277.00 | E.FORONDA | |

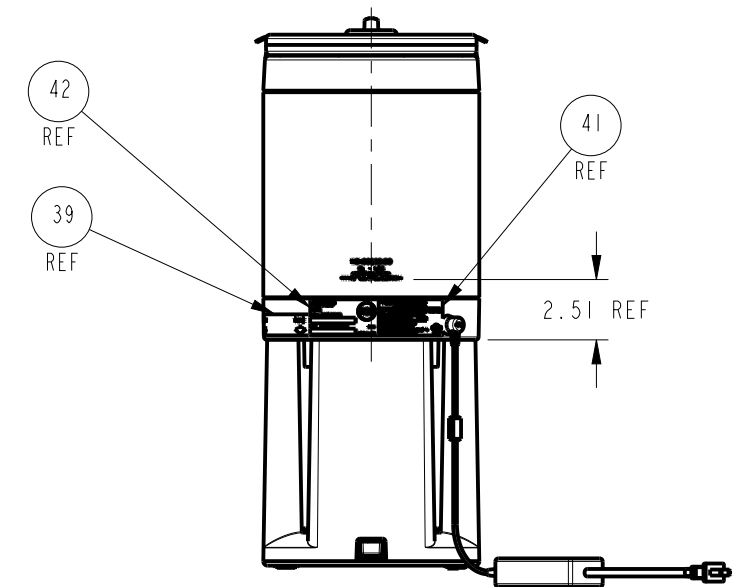
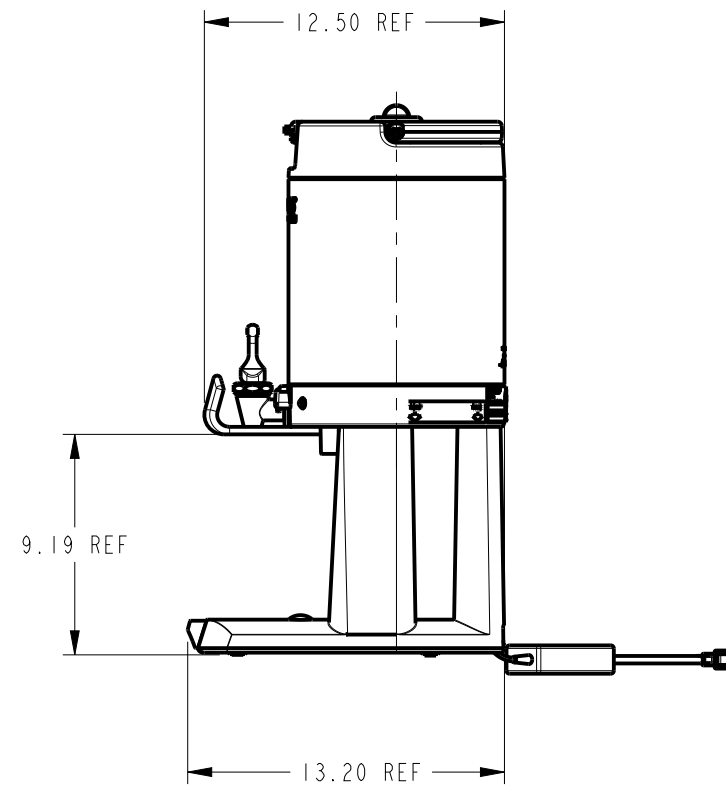
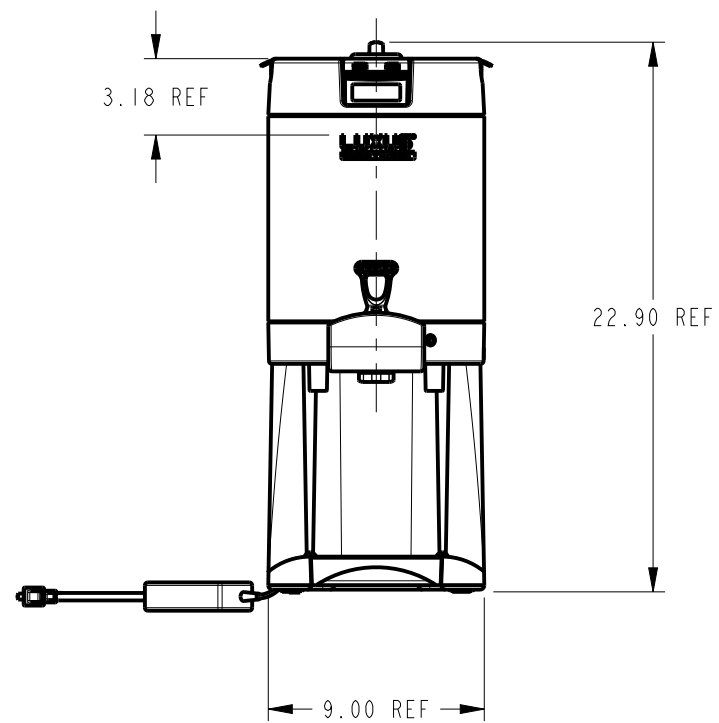
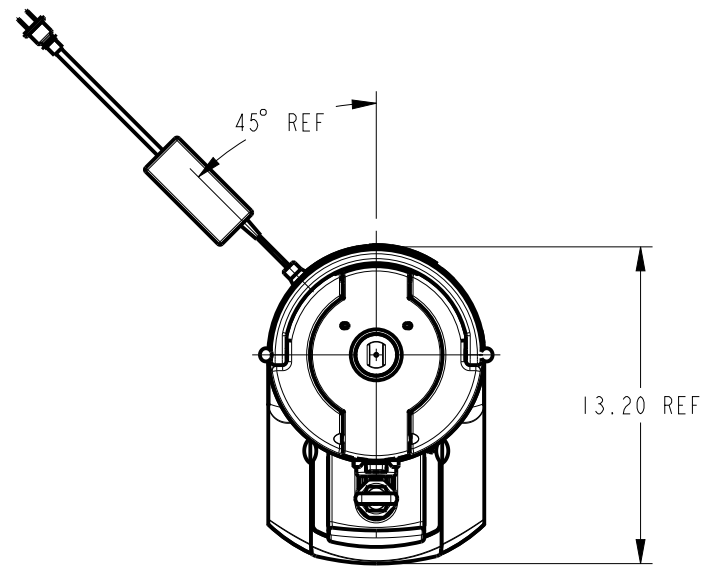
| | | | |
|----|---|---------------|--|
| 42 | 1 | 1043.00032.00 | TEMPLATE, NSF/SN LABEL, 1.5 GAL. HEATED DISPENSER |
| 41 | 1 | 1044.00016.00 | LABEL, HEATED DISPENSER, UL |
| 40 | 1 | 1102.00278.00 | ASS'Y. POWER SUPPLY, 100-240VAC, 24 VDC, 2.0 AMP, 6FT. |
| 39 | 1 | 1046.00032.00 | LABEL SET UP, "TIME - TEMP" |
| 38 | 2 | 1082.00047.00 | SCREW, #7 X 3/4"LG, PH PAN HD, S/M, Z/P |
| 37 | 2 | 1086.00012.00 | SCREW COVER HINGED, #8-10 SIZE |
| 36 | 1 | 1023.00231.00 | HANDLE GREY, L3D-15/20 |
| 35 | 1 | 1102.00269.00 | COVER ASSEMBLY, GREY, HEATED DISPENSER |
| 34 | 1 | 1102.00276.00 | ASSEMBLY, FUNNEL GREY, 8/1.5 GAL |
| 33 | 4 | 1086.00034.00 | PLUG, L3D DISP. TOP |
| 32 | 1 | 1023.00230.00 | TOP GREY, L3D-15/20 |
| 31 | 1 | 1001.00221.00 | BODY, 1.5 GAL. HEATED DISPENSER |
| 30 | 2 | 1022.00085.00 | INSULATION SIDE, HEATED DISPENSER |
| 29 | 1 | 1022.00084.00 | INSULATION TOP, HEATED DISPENSER |
| 28 | 1 | 1024.00035.00 | GASKET, NECK, L3D-15/20 |
| 27 | 4 | 1023.00225.00 | SLEEVE, HIGHT EXTENDER |
| 26 | 1 | 1102.00271.00 | LINER ASSEMBLY, 1.5 GAL. HEATED DISP. |
| 25 | 2 | 1064.00024.00 | DROPWIRE BUTTON CONNECTOR, SELF STRIPPING |
| 24 | 2 | 1064.00023.00 | BUTTON CONNECTOR, 19-26 AWG |
| 23 | 7 | 1082.00085.00 | SCREW, M5x16mm |
| 22 | 1 | 1082.00036.00 | KNOB ASSY, ROSETTE WITH M6x16MM SCREW |
| 21 | 1 | 1083.00027.00 | WASHER FLAT 1/4" SCREW SIZE, 1 1/2" ODX9/32" ID |
| 20 | 1 | 1023.00055.00 | GUARD FAUCET L3D-15/20 |
| 19 | 2 | 1086.00003.00 | UNICLAMP, 15.9 HOSE OD CLAMP |
| 18 | 1 | 1024.00074.00 | FITTING, SILICONE OUTLET |
| 17 | 1 | 1102.00055.00 | ASSEMBLY FAUCET L3D 10/15/20 |
| 16 | 1 | 1023.00069.00 | LOCK, FAUCET L3D |
| 15 | 1 | 1112.00344.00 | WELDMENT, FAUCET OUTLET TUBE |
| 14 | 2 | 1082.00045.00 | SCREW, #8-18x1/2"LG, FL HD PH, T/F, Z/P |
| 13 | 1 | 1023.00229.00 | INSERT GREY, BOTTOM, L3D-15/20 |
| 12 | 4 | 1082.00044.00 | SCREW, #8 X 3/4" LG, FL HD PH, S/M, Z/P |
| 11 | 1 | 1102.00277.00 | ASSY. BOTTOM GREY, 1.5 GAL., HEATED DISPENSER |
| 10 | 1 | 1023.00232.00 | BASE GREY, L3D-15/20 |
| 9 | 1 | 1085.00007.00 | SPRING, CONICAL, COMPRESSION |
| 8 | 1 | 1023.00235.00 | LOCK GREY, SINK L3D-15/20 |
| 7 | 1 | 1023.00065.00 | DRIP TRAY 1.5/2.0 GAL |
| 6 | 1 | 1023.00234.00 | SINK GREY, L3D-15/20 |
| 5 | 1 | 1081.00027.00 | HEX. NUT M6, DIN-934 |
| 4 | 1 | 1082.00043.00 | SCREW, #8 X 1" LG, FL HD PH, S/M, Z/P |
| 3 | 4 | 1024.00069.00 | FOOT, ANTI-SLIP, L3D'S |
| 2 | 4 | 1082.00042.00 | SCREW, #8 X 1/2" LG, PAN HD PHILLIPS, SHEET METAL |
| 1 | 1 | 1023.00233.00 | COVER GREY, BASE L3D-15/20 |

BILL OF MATERIALS

| | | | |
|--------------------------|--|---------------------------------------|--|
| TOLERANCES | | UNLESS OTHERWISE SPECIFIED | |
| ALL DIMENSIONS IN INCHES | | ALL DECIMAL ± .005" ANGULAR ± 1/2° | |
| THIRD-ANGLE | | | |
| MATERIAL | | N/A | |
| GAUGE | | N/A | |
| FINISH | | N/A | |

| | | | |
|---|------------------|----------------------------------|--|
| FETCO FOOD EQUIPMENT TECHNOLOGIES COMPANY 600 ROSE ROAD, LAKE ZURICH, IL 60047, USA PHONE: (800) 338-2699 FAX: (847) 719-3001 E-MAIL: engineering@fetco.com www.fetco.com | | | |
| DRAWING NAME: ASSEMBLY, HEATED DISPENSER, 6FT. CORD | | | |
| CREATED BY: MK | DATE: 10/16/2014 | DRAWING NO. 1101.00230.00 | |
| DRAWING BY: E.FORONDA | SCALE: 0.125 | REVISION D | |
| APP'D BY: AG | SHEETS: 1 of 2 | | |

PROPRIETARY AND CONFIDENTIAL. THE INFORMATION CONTAINED IN THIS DRAWING IS THE SOLE PROPERTY OF FETCO. ANY REPRODUCTION IN PART OR AS A WHOLE WITHOUT THE WRITTEN PERMISSION OF FETCO IS PROHIBITED.



| | | | |
|----------------------------|--------|--|------------|
| TOLERANCES | | FETCO FOOD EQUIPMENT TECHNOLOGIES COMPANY | |
| UNLESS OTHERWISE SPECIFIED | | 600 ROSE ROAD, LAKE ZURICH, IL 60047, USA | |
| ALL DIMENSIONS IN INCHES | | PHONE: (800) 338-2699 FAX: (847) 719-3001 | |
| ALL DECIMAL ± .005" | | E-MAIL: engineering@fetco.com www.fetco.com | |
| ANGULAR ± 1/2° | | DRAWING NAME: | |
| THIRD-ANGLE | | ASSEMBLY, HEATED DISPENSER, 6FT. CORD | |
| MATERIAL | | CREATED BY: | DATE |
| N/A | | MK | 10/16/2014 |
| | | DRAWING BY: | SCALE |
| | | E. FORONDA | 0.125 |
| | | APP'D BY: | SHEETS |
| | | AG | 2 of 2 |
| | GAUGE | DRAWING NO. | |
| | N/A | 1101.00230.00 | |
| | FINISH | REVISION | |
| | N/A | D | |

PROPRIETARY AND CONFIDENTIAL.
 THE INFORMATION CONTAINED IN THIS DRAWING IS THE SOLE PROPERTY OF FETCO.
 ANY REPRODUCTION IN PART OR AS A WHOLE WITHOUT THE WRITTEN PERMISSION OF FETCO IS PROHIBITED.