

NOTES:

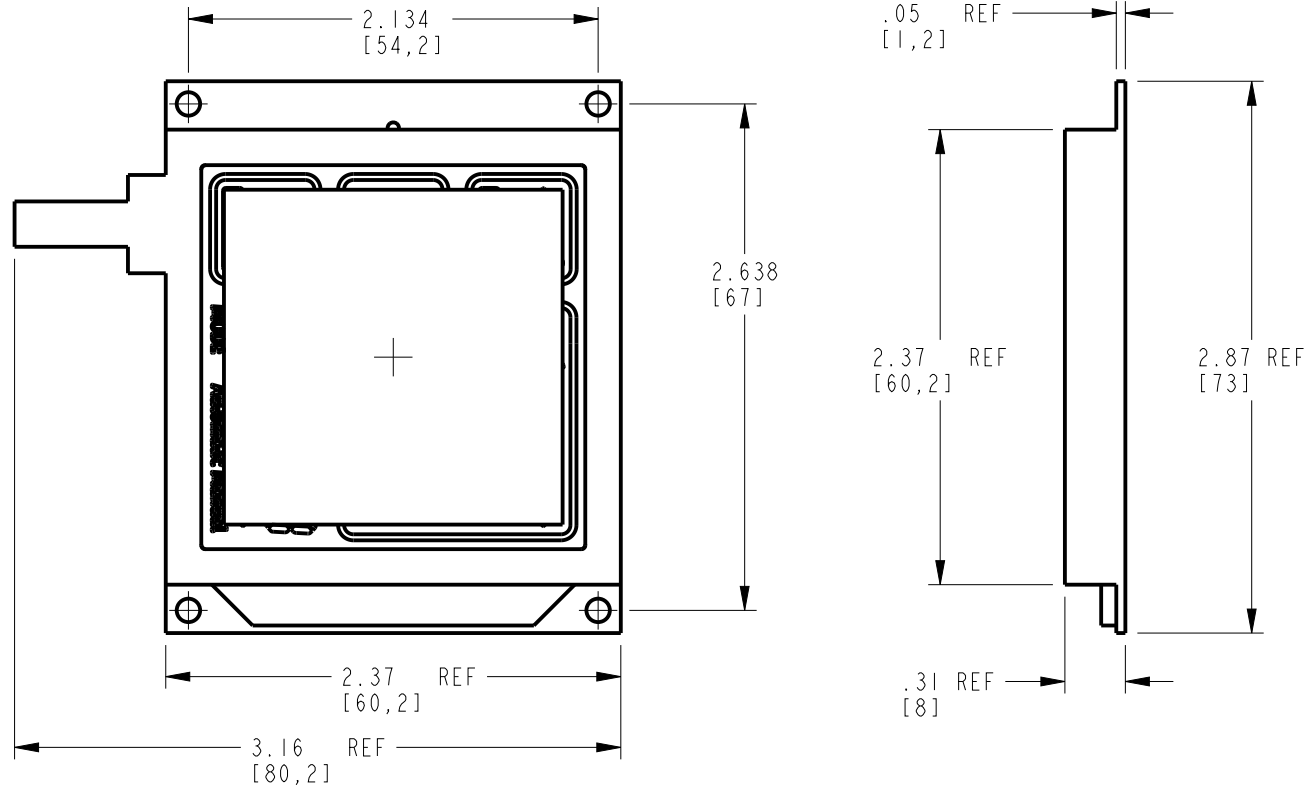
1. CHANGE OF MATERIAL IS NOT PERMITTED UNLESS APPROVED IN WRITING BY FETCO PERSONNEL.
2. DRAWING TO BE INTERPRETED IN ACCORDANCE WITH THE CURRENT REVISION OF ASME Y14.5M.
3. TSI TO BE INTERPRETED AS THEORETICAL SHARP INTERSECTION.
4. PARTS SHALL BE FREE OF ALL CONTAMINANTS INCLUDING GREASE, DIRT, MACHINING OIL AND OTHER CONTAMINANTS.
5. PARTS SHALL BE PACKAGED IN A MANNER TO PREVENT SCRATCHING, BOWING OR OTHER DAMAGE DURING SHIPMENT.
6. PURCHASED FROM: SHENZHEN TOPWAY TECH. CO. LTD.
VENDOR P/N: TWM13002



SCALE 0.250

REVISIONS

REV	DATE	ECO NO	DESCRIPTION	BY:	A
A	03/17/2011	N/A	ORIGINAL	DK	



TOLERANCES UNLESS OTHERWISE SPECIFIED		FETCO [®] FOOD EQUIPMENT TECHNOLOGIES COMPANY 600 ROSE ROAD, LAKE ZURICH, IL 60047, USA PHONE: (800) 338-2699 FAX: (847) 719-3001 E-MAIL: engineering@fetco.com www.fetco.com	
ALL DIMENSIONS IN INCHES		DRAWING NAME: DISPLAY, TOUCH SCREEN, CBS-2121	
ALL DECIMAL ± .005" ANGULAR ± 1/2°	THIRD-ANGLE	CREATED BY: DK	DATE 03/17/2011
		DRAWING BY: DK	SCALE 1.000
		APP'D BY: AG	SHEETS 1 of 1
MATERIAL PURCHASED		GUAGE N/A	DRAWING NO 1058.00042.00
		FINISH N/A	REVISION A

PROPRIETARY AND CONFIDENTIAL.
THE INFORMATION CONTAINED IN THIS DRAWING IS THE SOLE PROPERTY OF FETCO.
ANY REPRODUCTION IN PART OR AS A WHOLE WITHOUT THE WRITTEN PERMISSION OF FETCO IS PROHIBITED.