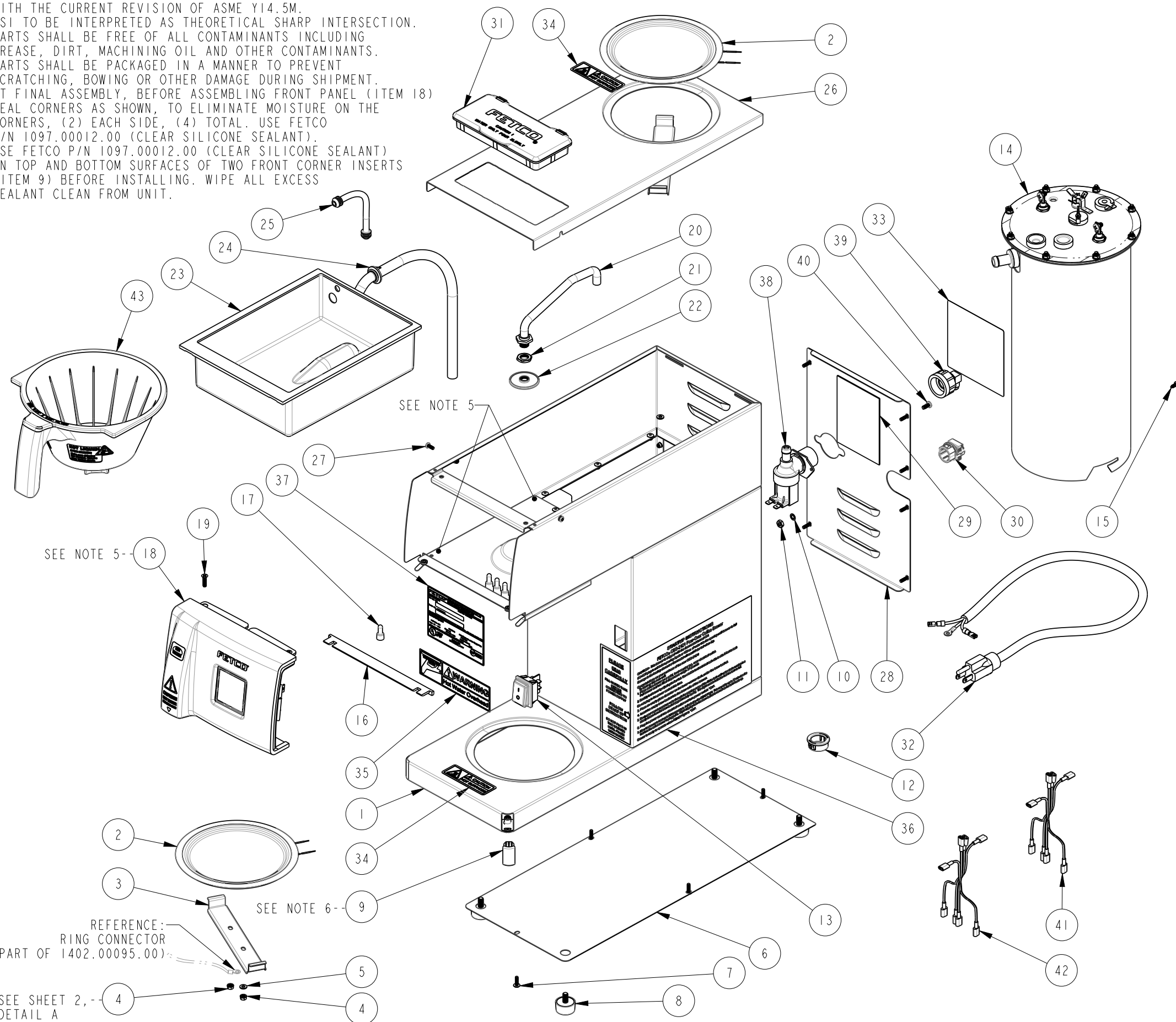


NOTES:

1. DRAWING TO BE INTERPRETED IN ACCORDANCE WITH THE CURRENT REVISION OF ASME Y14.5M.
2. TSI TO BE INTERPRETED AS THEORETICAL SHARP INTERSECTION.
3. PARTS SHALL BE FREE OF ALL CONTAMINANTS INCLUDING GREASE, DIRT, MACHINING OIL AND OTHER CONTAMINANTS.
4. PARTS SHALL BE PACKAGED IN A MANNER TO PREVENT SCRATCHING, BOWING OR OTHER DAMAGE DURING SHIPMENT.
5. AT FINAL ASSEMBLY, BEFORE ASSEMBLING FRONT PANEL (ITEM 18) SEAL CORNERS AS SHOWN, TO ELIMINATE MOISTURE ON THE CORNERS, (2) EACH SIDE, (4) TOTAL. USE FETCO P/N 1097.00012.00 (CLEAR SILICONE SEALANT).
6. USE FETCO P/N 1097.00012.00 (CLEAR SILICONE SEALANT) ON TOP AND BOTTOM SURFACES OF TWO FRONT CORNER INSERTS (ITEM 9) BEFORE INSTALLING. WIPE ALL EXCESS SEALANT CLEAN FROM UNIT.



REVISIONS				
REV	DATE	ECO NO	DESCRIPTION	BY:
A	06/22/2017	N/A	ORIGINAL	DK

A

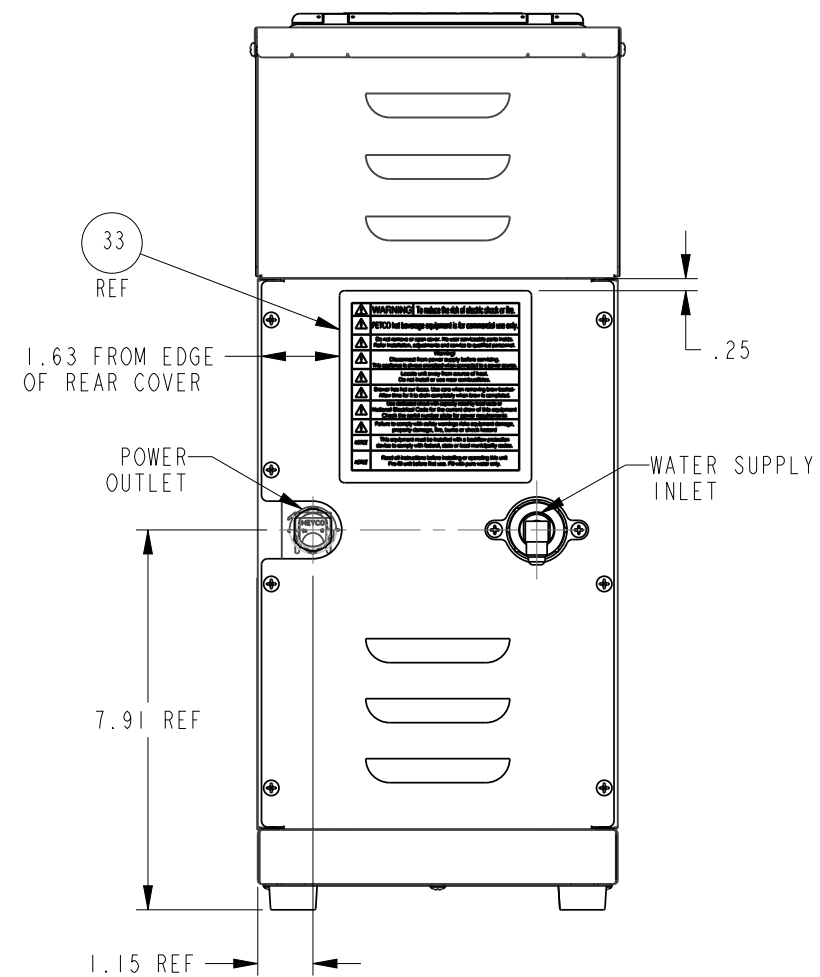
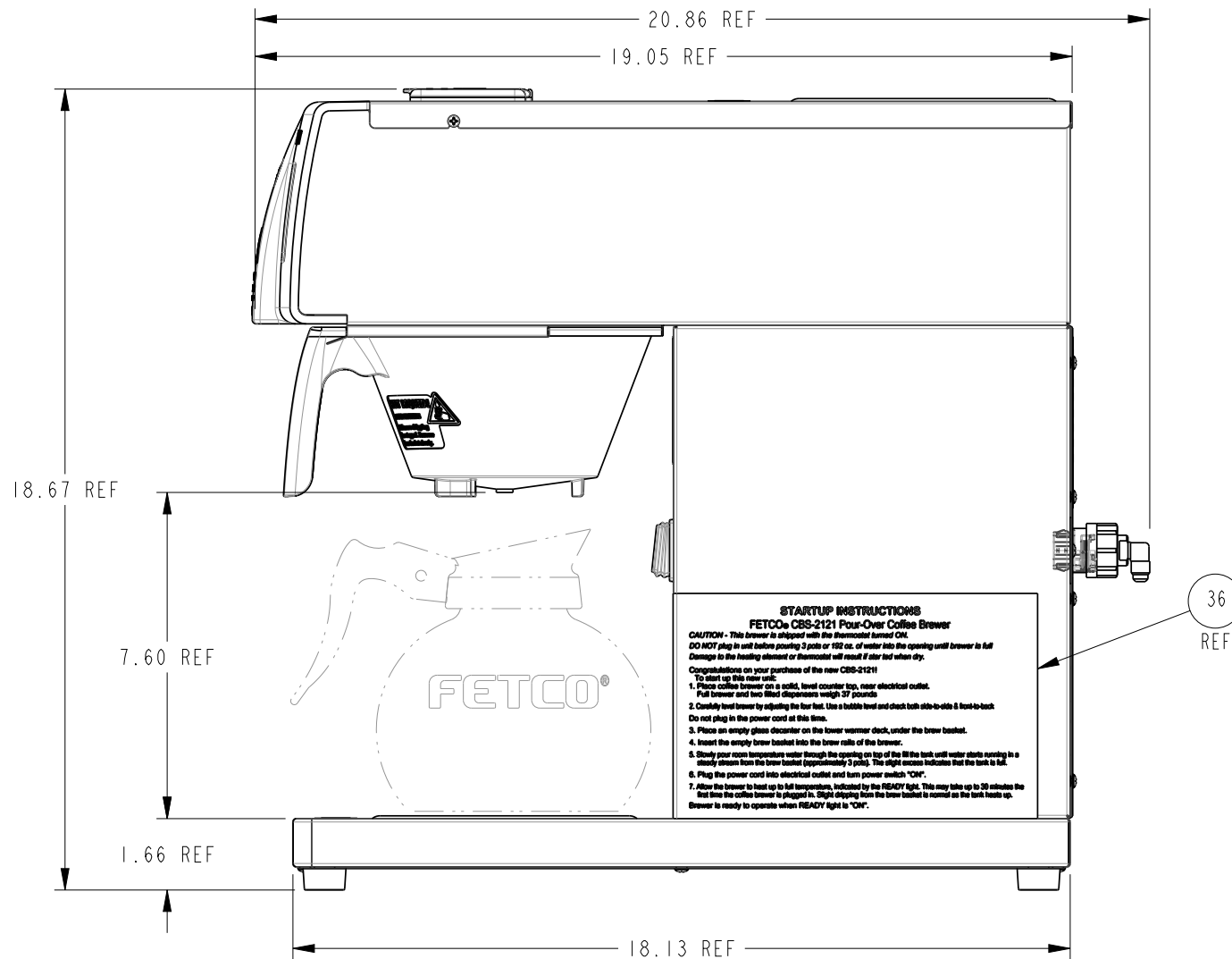
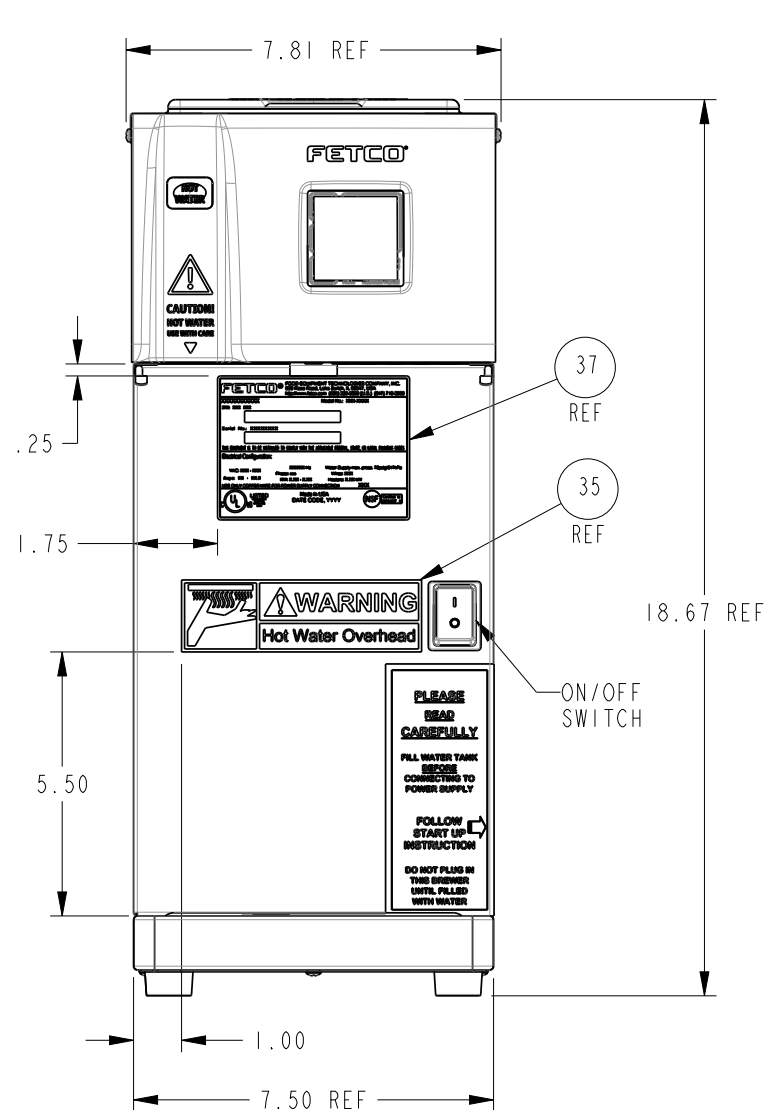
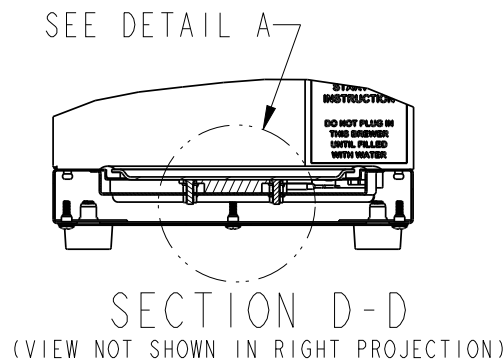
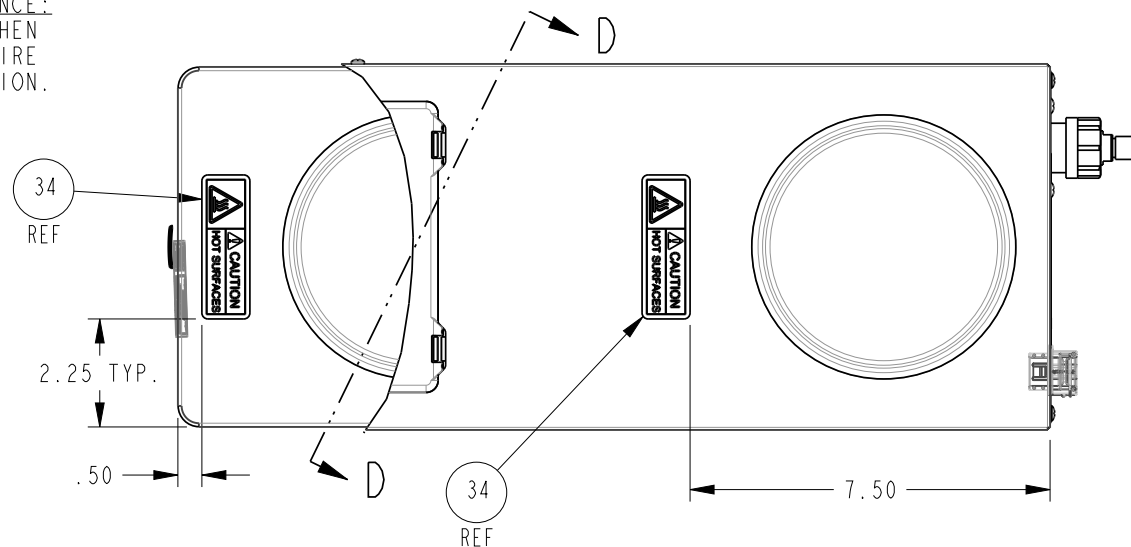
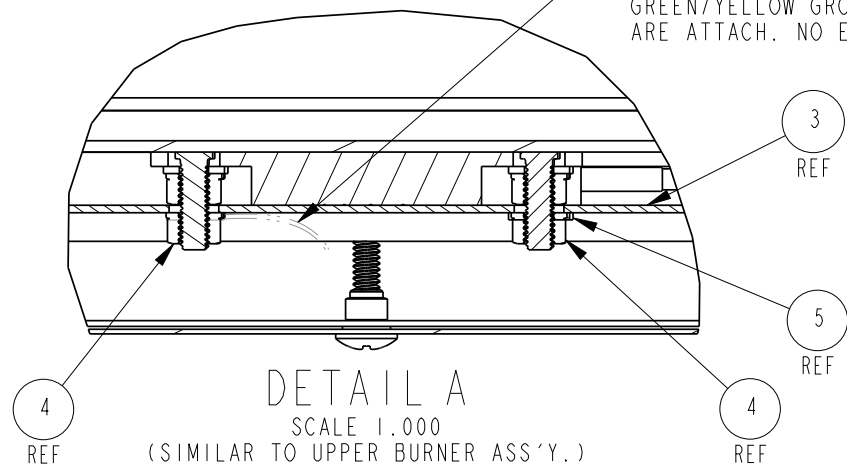
43	1	B018200BN2	BB ASSY, 0.200" HOLE, BRN PLUG
42	1	1402.00095.00	HARNES, CBS-2121 POUR OVER, WARMERS OPTION, UL/CE
41	1	1402.00092.00	HARNES, CBS-2121 POUR OVER, NO WARMERS, UL/CE
40	2	1082.00010.00	SCREW, M4x10 ZINC-PLATED PAN HD. PHILLIPS MACH.
39	1	1102.00164.00	ADAPTER ASSY, 3/4" BSP X 1/4 SAE FLARE
38	1	1057.00003.00	VALVE, COLD WATER INLET, 24VDC
37	1	1043.00036.00	TEMPLATE, SN LABEL, FETCO PRODUCTS
36	1	1046.00048.00	LABEL, WARNING & STARTUP INSTRUCTION, CBS-2121
35	1	1046.00052.00	LABEL, WARNING, HOT WATER OVERHEAD
34	2	1046.00050.00	LABEL "CAUTION, HOT SURFACE", CBS-2121 POUR OVER
33	1	1046.00049.00	LABEL, WARNING "ELECTRIC SHOCK OR FIRE", 4x4
32	1	1102.00334.00	ASSEMBLY, POWER CORD, 120VAC w/NEMA 5-15P PLUG
31	1	1102.00321.00	ASSEMBLY, LID COVER, FILL TANK, CBS-2121
30	1	1086.00046.00	BUSHING, STRAIN RELIEF, .12"-.58" DIA CABLE
29	1	1401.00143.00	WIRING DIAGRAM, CBS-2121 COMBO, 1-PH (L-N-PE)
28	1	1001.00339.00	BACK COVER, CBS-2121, AUTOMATIC
27	2	1082.00073.00	SCREW # 6-32 X 3/8", PAN HD PH, MACHINE, 18-8 SS
26	1	1001.00308.00	COVER TOP, CBS-2121
25	1	1024.00091.00	VENT TUBE, CBS-2121
24	1	1024.00097.00	FILL TUBE, CBS-2121, AUTOMATIC
23	1	1023.00260.00	BODY, FILL TOP TANK, CBS-2121
22	1	1005.00028.00	WELDING, DOME SPRAY CUTTER, 6-HOLES, CBS-2121
21	1	1084.00041.00	HEX NUT, 7/16-20 x 1/8" THK.
20	1	1112.00420.00	WELDMENT, SPRAY CUTTER TUBE FITTING, CBS-2121
19	4	1082.00058.00	SCREW, # 8-32 X 5/8, FLAT HD, PH, 18-8 SS
18	1	1102.00327.00	ASSEMBLY FRONT PANEL, CBS-2121 AUTOMATIC POUR OVER
17	6	1064.00030.00	CRIMP CONNECTOR, PRE-INSULATED, 22-14 AWG WIRE RANGE
16	1	1024.00080.00	GASKET, FRONT CBS-2121
15	1	1082.00024.00	SCREW, PAN HEAD, PHILLIPS
14	1	1104.00140.00	TANK ASS'Y., CBS-2121, 1320W/120VAC, AUTO. POUR OVER
13	1	1058.00045.00	SWITCH, POWER, DP, 16A, 125/250 VAC, WATERPROOF
12	2	1086.00004.00	BUSHING, SNAP, 1" MOUNTING HOLE
11	1	1084.00006.00	NUT, 8-32 18-8 HEX MACHINE SCREW
10	1	1083.00011.00	WASHER, #8 SCREW SIZE, INTERNAL TOOTH LOCK
9	2	1023.00263.00	CORNER INSERT FOR BASE, CBS-2121
8	4	1073.00021.00	FOOT, RUBBER, 1/4-20
7	11	1082.00017.00	SCREW, TRUSS HD. PHIL. MACHINE, # 6-32 X 1/2 LG.
6	1	1001.00307.00	COVER BASE, CBS-2121
5	2	1083.00004.00	WASHER, M4, 18-8 SS FLAT
4	4	1084.00049.00	NUT, HEX LOCKWASHER, M4x0.7, 18-8 ST. STL.
3	2	1003.00312.00	BRACKET, WARMER TRAY HOLDER, CBS-2121
2	2	1102.00322.00	ASSY, WARMER PLATE, 120VAC, CBS-2121
1	1	1111.00075.00	WELDMENT BODY COMPLETE, CBS-2121 POUR OVER

ITEM NO QTY PART NO DESCRIPTION

BILL OF MATERIALS			
TOLERANCES			
UNLESS OTHERWISE SPECIFIED			
ALL DIMENSIONS IN INCHES			
ALL DECIMAL ± .005"			
ANGULAR ± 1/2°			
THIRD-ANGLE			
MATERIAL N/A			
GAUGE N/A			
FINISH N/A			
<p>FETCO FOOD EQUIPMENT TECHNOLOGIES COMPANY 600 ROSE ROAD, LAKE ZURICH, IL 60047, USA PHONE: (800) 338-2699 FAX: (847) 719-3001 E-MAIL: engineering@fetco.com www.fetco.com</p>			
DRAWING NAME: ASSY., CBS-2121, 1370W/120VAC, AUTO POUR OVER W/WARMERS			
CREATED BY: DK	DATE: 06/22/2017	DRAWING NO. 1101.00303.00	
DRAWN BY: E. FORONDA	SCALE: 0.188	REVISION A	
APP'D BY: SP	SHEETS: 1 of 2		

PROPRIETARY AND CONFIDENTIAL. THE INFORMATION CONTAINED IN THIS DRAWING IS THE SOLE PROPERTY OF FETCO. ANY REPRODUCTION IN PART OR AS A WHOLE WITHOUT THE WRITTEN PERMISSION OF FETCO IS PROHIBITED.

RING CONNECTOR REFERENCE:
WASHER NOT REQUIRED WHEN
GREEN/YELLOW GROUND WIRE
ARE ATTACH. NO EXCEPTION.



PROPRIETARY AND CONFIDENTIAL.
THE INFORMATION CONTAINED IN THIS DRAWING IS THE SOLE PROPERTY OF FETCO.
ANY REPRODUCTION IN PART OR AS A WHOLE WITHOUT THE WRITTEN PERMISSION OF FETCO IS PROHIBITED.

TOLERANCES		FETCO® FOOD EQUIPMENT TECHNOLOGIES COMPANY	
UNLESS OTHERWISE SPECIFIED		600 ROSE ROAD, LAKE ZURICH, IL 60047, USA	
ALL DIMENSIONS IN INCHES		PHONE: (800) 338-2699 FAX: (847) 719-3001	
ALL DECIMAL ± .005"		E-MAIL: engineering@fetco.com www.fetco.com	
ANGULAR ± 1/2°		DRAWING NAME: ASS'Y, CBS-2121, 1370W/120VAC, AUTO POUR OVER W/WARMERS	
THIRD-ANGLE		CREATED BY: DK	DATE 06/22/2017
DRAWING BY: E. FORONDA		DRAWING NO. 1101.00303.00	
APP'D BY: AG		SCALE 0.250	REVISION A
MATERIAL N/A		SHEETS 2 of 2	FINISH N/A
		GAUGE N/A	