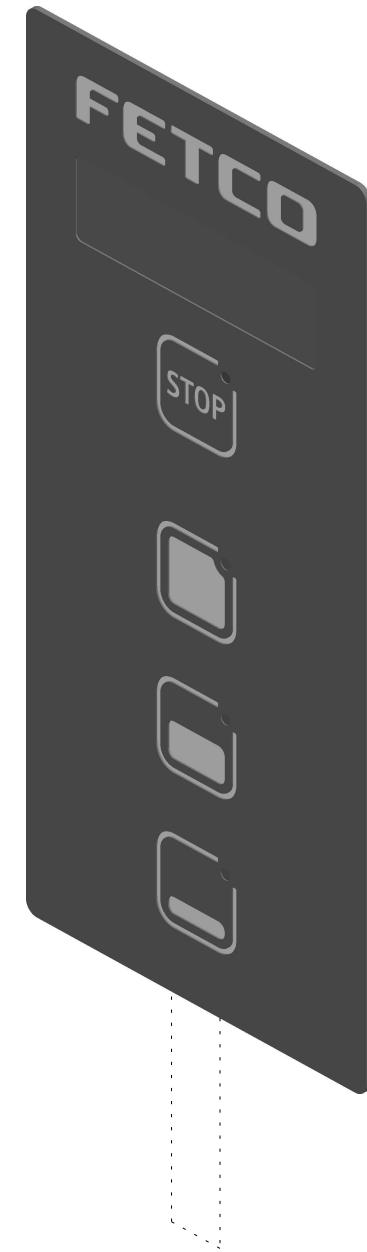
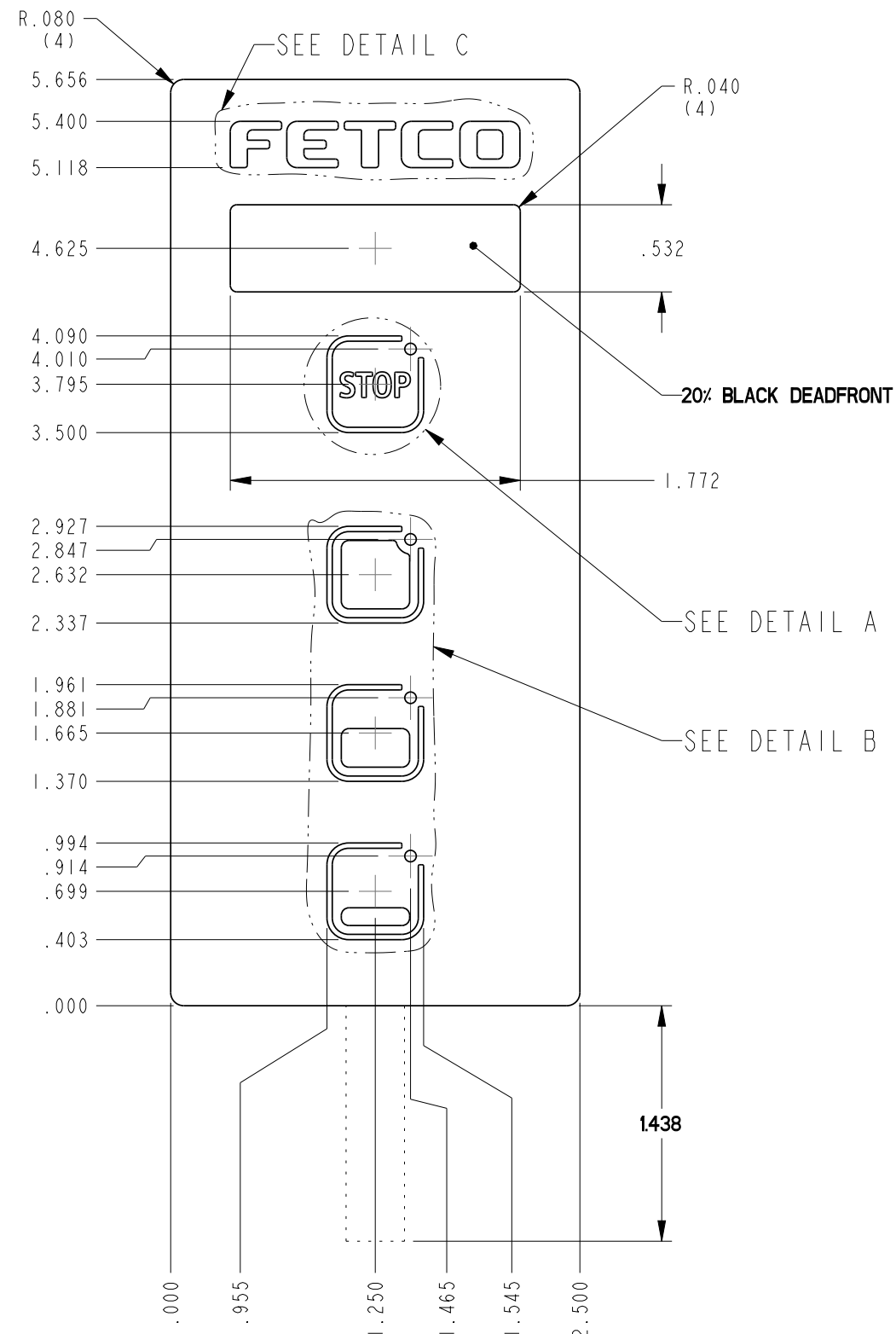
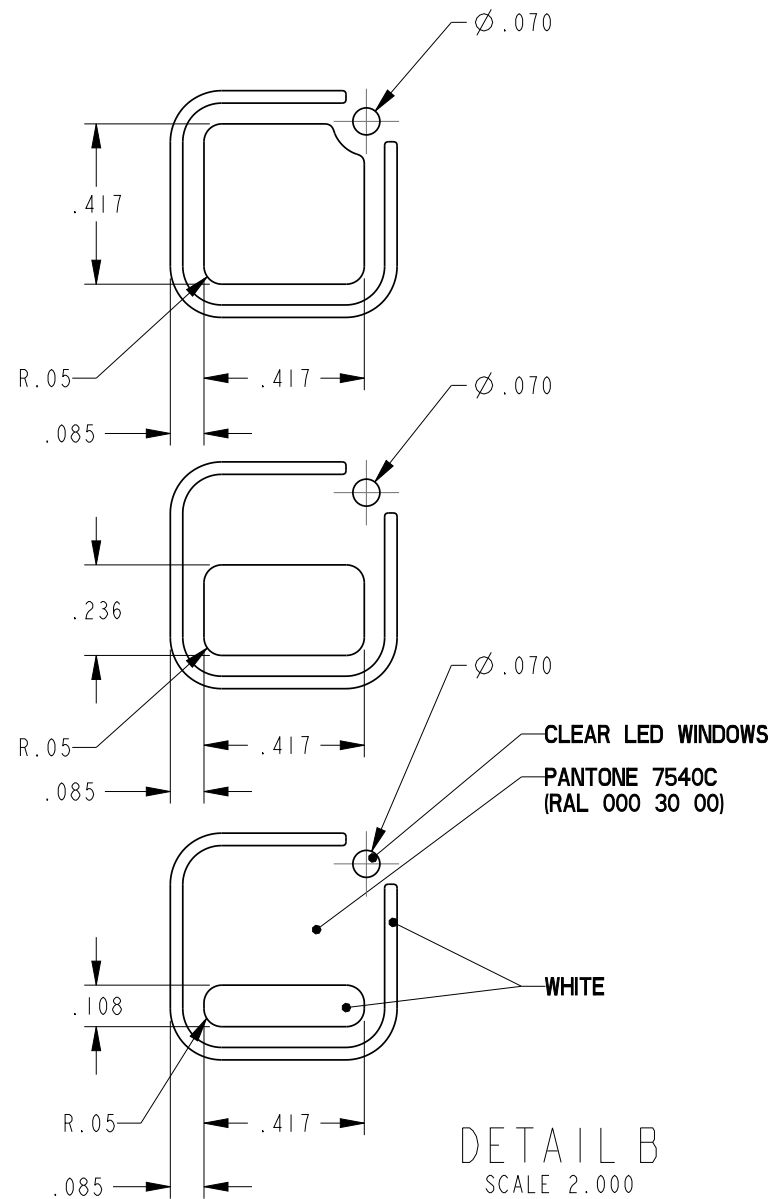
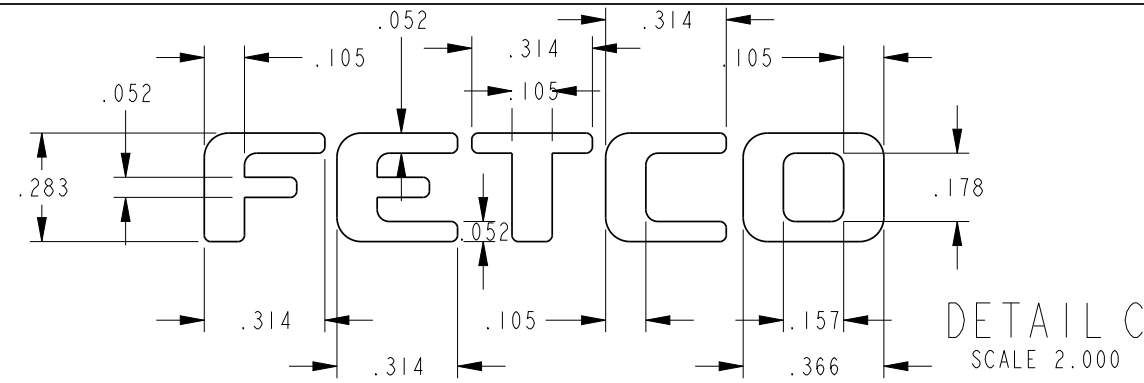
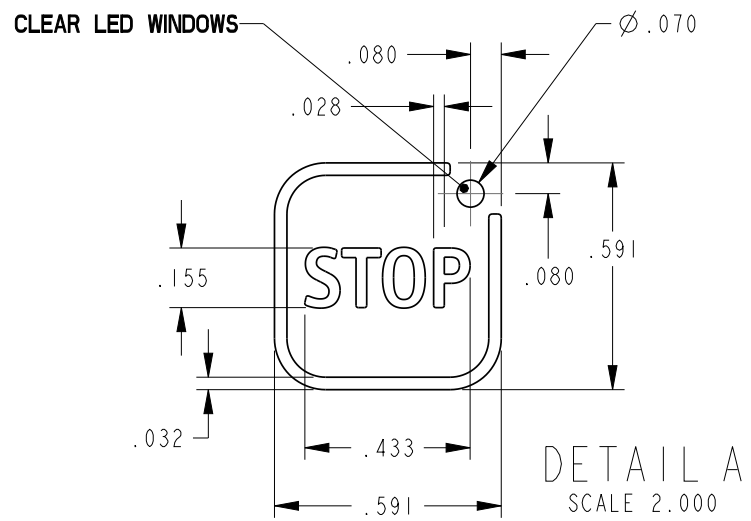


REVISIONS

A

REV	DATE	ECO NO	DESCRIPTION	BY:
A	01/19/2017	N/A	ORIGINAL	DK



TOLERANCES		FETCO® FOOD EQUIPMENT TECHNOLOGIES COMPANY	
UNLESS OTHERWISE SPECIFIED		600 ROSE ROAD, LAKE ZURICH, IL 60047, USA	
ALL DIMENSIONS IN INCHES		PHONE: (800) 338-2699 FAX: (847) 719-3001	
ALL DECIMAL ± .005"		E-MAIL: engineering@fetco.com www.fetco.com	
ANGULAR ± 1/2°		DRAWING NAME: MEMBRANE SWITCH, CBS-1100 SERIES, SINGLE	
THIRD-ANGLE	CREATED BY: DK	DATE: 01/19/2017	DRAWING NO. 1058.00047.00
	DRAWING BY: DK	SCALE: 1.000	REVISION: A
	APP'D BY: AG	SHEETS: 1 of 1	
MATERIAL: N/A	GAUGE: N/A	FINISH: N/A	

PROPRIETARY AND CONFIDENTIAL. THE INFORMATION CONTAINED IN THIS DRAWING IS THE SOLE PROPERTY OF FETCO. ANY REPRODUCTION IN PART OR AS A WHOLE WITHOUT THE WRITTEN PERMISSION OF FETCO IS PROHIBITED.