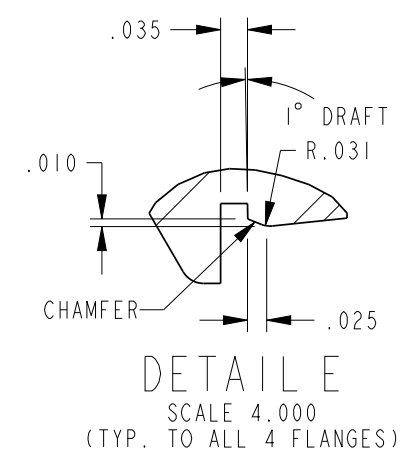
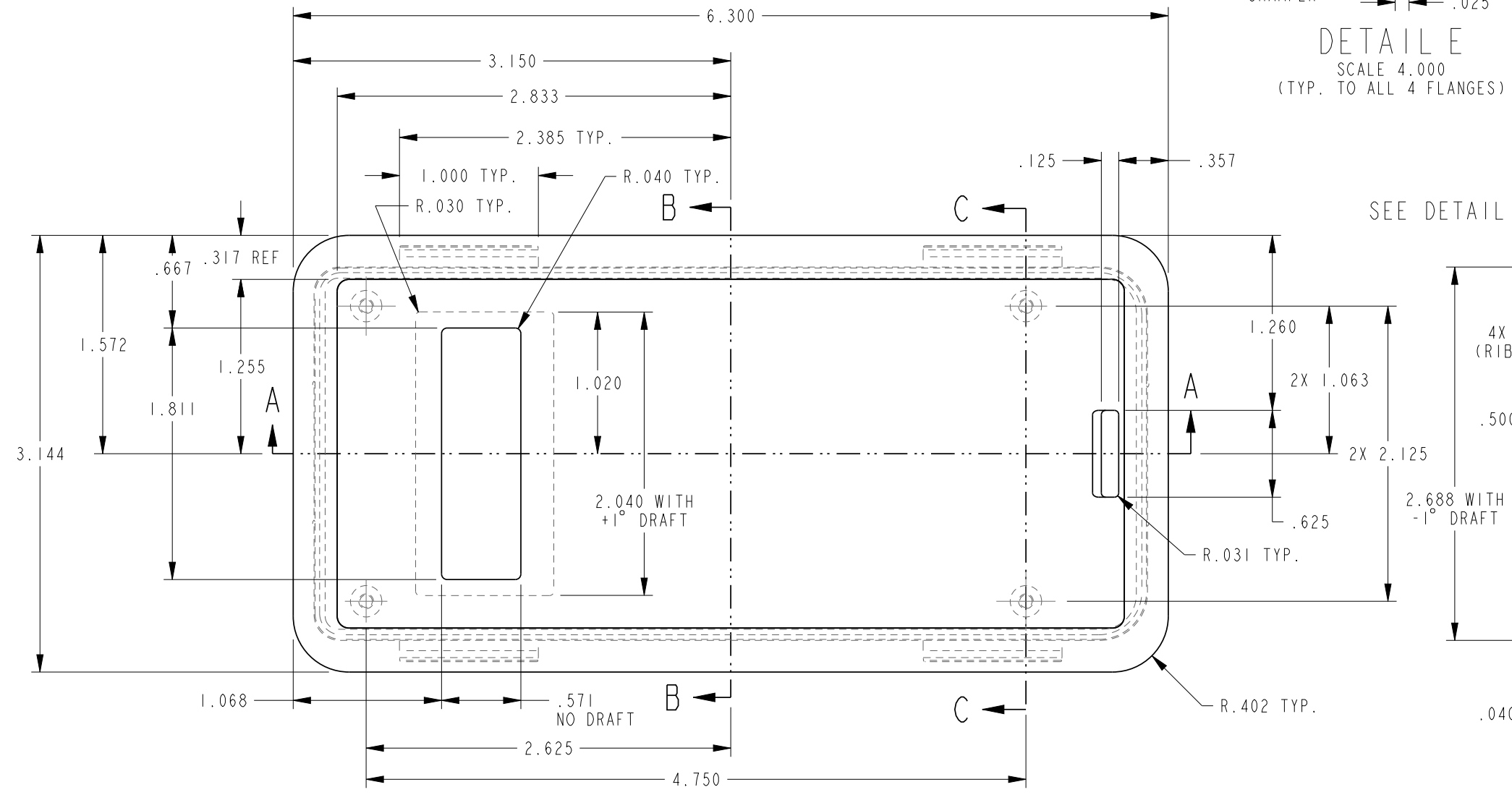


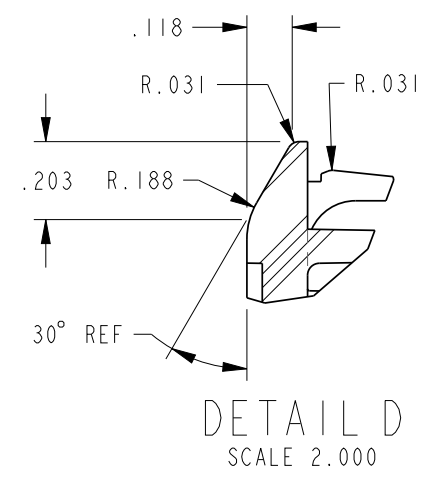
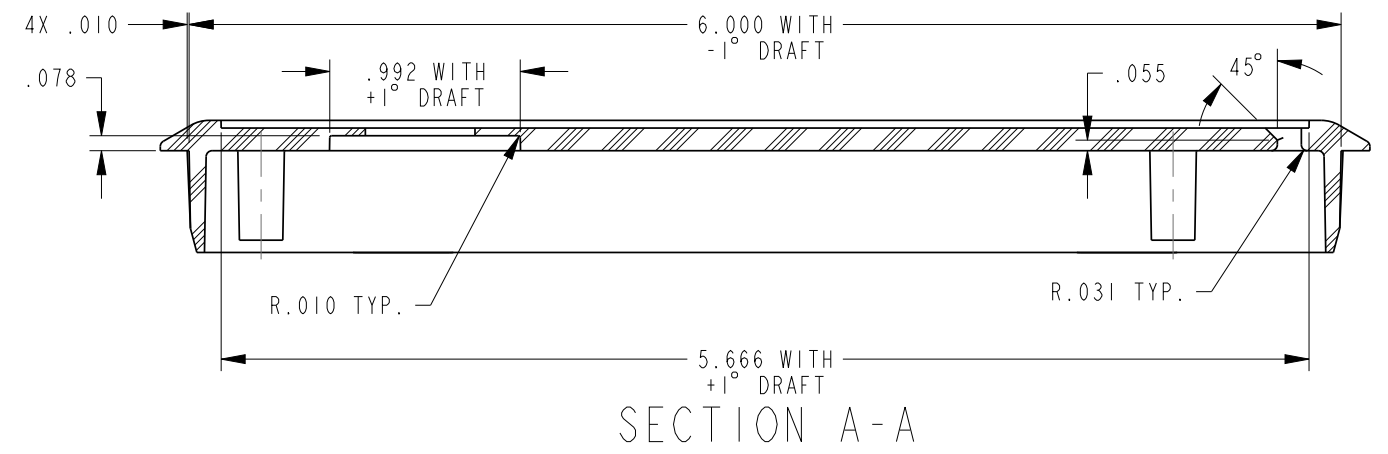
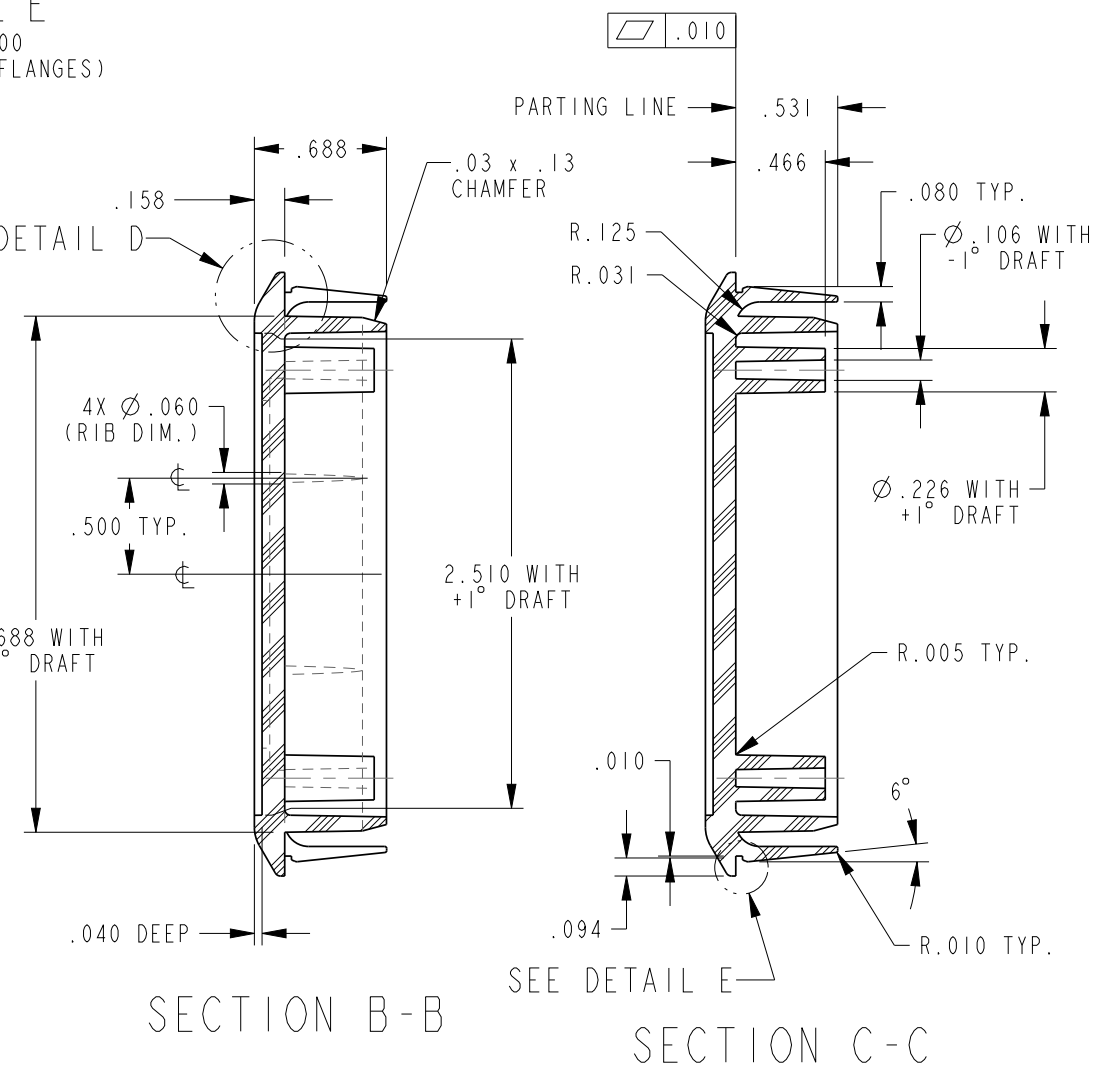
- NOTES:
1. CHANGE OF MATERIAL IS NOT PERMITTED UNLESS APPROVED IN WRITING BY FETCO PERSONNEL.
 2. DRAWING TO BE INTERPRETED IN ACCORDANCE WITH THE CURRENT REVISION OF ASME Y14.5M.
 3. TSI TO BE INTERPRETED AS THEORETICAL SHARP INTERSECTION.
 4. FLASH NOT TO EXCEED .005 UNLESS OTHERWISE STATED.
 5. PARTING LINE AND EJECTOR MISMATCH SHALL NOT EXCEED .005 UNLESS OTHERWISE STATED.
 6. ALL DIMENSIONS ARE MINUS DRAFT UNLESS OTHERWISE STATED.
 7. USE OF MOLD RELEASE IS PROHIBITED UNLESS APPROVED IN WRITING BY FETCO ENGINEERING PERSONNEL.
 8. TOOL DESIGN, INCLUDING GATE AND EJECTOR LOCATION, SHALL BE APPROVED BY FETCO ENGINEERING PERSONNEL PRIOR TO TOOLING FABRICATION.
 9. PARTS SHALL BE PACKAGE IN A MANNER TO PREVENT BOWING, SCRATCHING, OR OTHER DAMAGE DURING SHIPMENT

| REVISIONS | | | | |
|-----------|------------|--------|-------------|-----|
| REV | DATE | ECO NO | DESCRIPTION | BY: |
| A | 09/21/2016 | N/A | ORIGINAL | DK |

A



DETAIL E
SCALE 4.000
(TYP. TO ALL 4 FLANGES)



SECTION B-B

SECTION C-C

SECTION A-A

DETAIL D
SCALE 2.000

| TOLERANCES | | FETCO FOOD EQUIPMENT TECHNOLOGIES COMPANY | |
|---------------------------------------|-------------|---|------------------|
| UNLESS OTHERWISE SPECIFIED | | 600 ROSE ROAD, LAKE ZURICH, IL 60047, USA PHONE: (800) 338-2699 FAX: (847) 719-3001 E-MAIL: engineering@fetco.com www.fetco.com | |
| ALL DIMENSIONS IN INCHES | | DRAWING NAME: FRONT PANEL, COVER | |
| ALL DECIMAL ± .005" ANGULAR ± 1/2° | THIRD-ANGLE | CREATED BY: DK | DATE: 09/21/2016 |
| | | DRAWING BY: E. FORONDA | SCALE: 1.000 |
| | | APP'D BY: AG | SHEETS: 1 of 1 |
| MATERIAL: N/A | GAUGE: N/A | DRAWING NO.: 1023.00290.00 | |
| | | REVISION: A | |
| | | FINISH: N/A | |