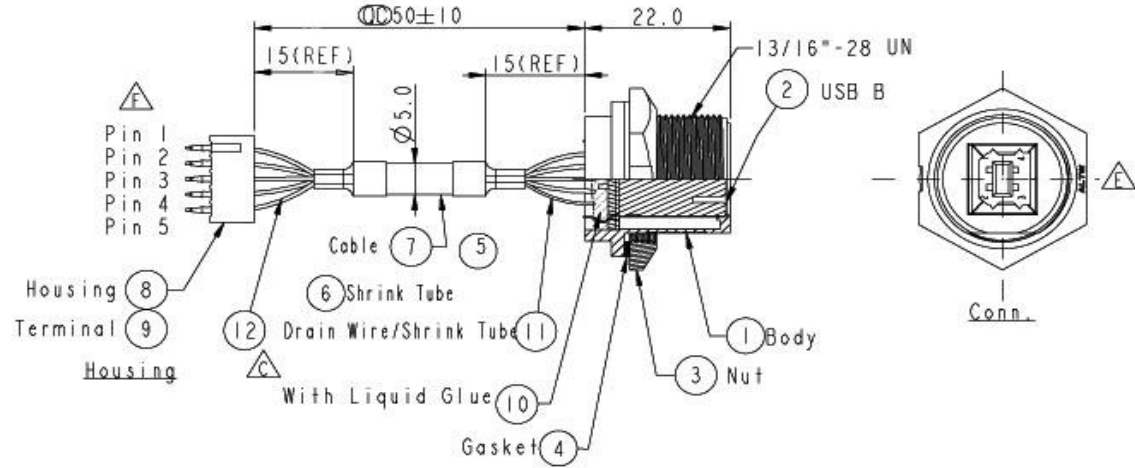
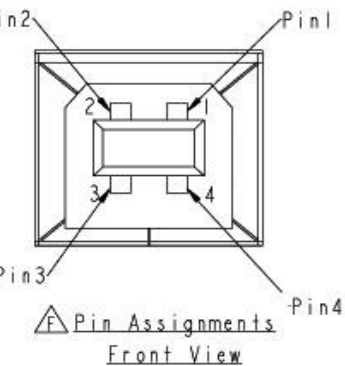
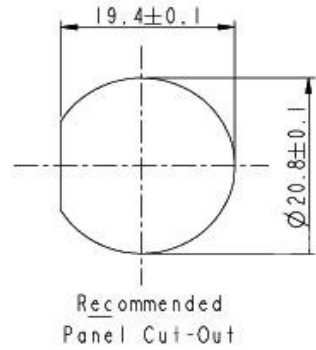
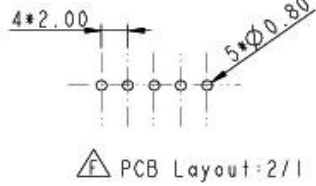


REV.	ECN NO.	DATE	SIGN	DESCRIPTION
D	LEN-7B0142	2007/11/15	Gao Ling	Modify Panel Thickness
E	LEN1480161	2014/08/05	Jason Ou	Update NUT LOGO TO ALTW
F	LEN14B0002	2014/10/21	Jinhai	Change Housing Pin Out

THIS DOCUMENT IS SUBJECT TO CHANGE WITHOUT NOTICE. IT IS CONFIDENTIAL AND A PROPERTY OF Amphenol LTW. DISCLOSURE TO THIRD PARTY HAS TO BE AUTHORIZED BY Amphenol LTW.



5	Drain	Shield
4	Black 24AWG	4
3	Green 28AWG	3
2	White 28AWG	2
1	Red 24AWG	1
Housing	Wire Color	Conn.

Twist

- Note: Important Dimension.
 Waterproof Rate: IP68
 Body: ABS 94V-0, Black
 USB B: Female Solder Type, Gold Plated
 Gasket: EPDM, Black
 Panel Nut: Nylon+GF, Black
 Housing: 5Pin, PH=2.50mm
 Terminal: Phosphor bronze, Tin-plated
 Cable: USB2.0 28AWG*1P+24AWG*2C+AL/My+D+B, Black-PVC Jacket Resist UV, OD=5.0
 * Use with waterproof cap or dust cap
 For Panel Thickness Max: 2.8mm
 * Use without waterproof cap or dust cap
 For Panel Thickness Max: 4.0mm

UNIT: mm				
TOLERANCE	.X ±0.25	.XX ±0.1	.XXX ±0.05	ANGLES ±1°
TITLE	USB, Panel Screw 20B M Conn. F Pin			
SCALE	1:1	SIZE	A4	SHEET 1 OF 1
REV.	F	WC-REV.	A.5	Inspection item

Xia Men Ever-Precise Electronic Co., Ltd		ITEM NO	UB-20PMFP-SC8002	Jinhai	DATE	2014-10-21	
		CHK NO	UB-20PMFP-SC8002	Tom	CHECKED BY	DATE	2014-10-21
		CUSTOMER	ALTW	Jerry	APPROVED BY	DATE	2014-10-21