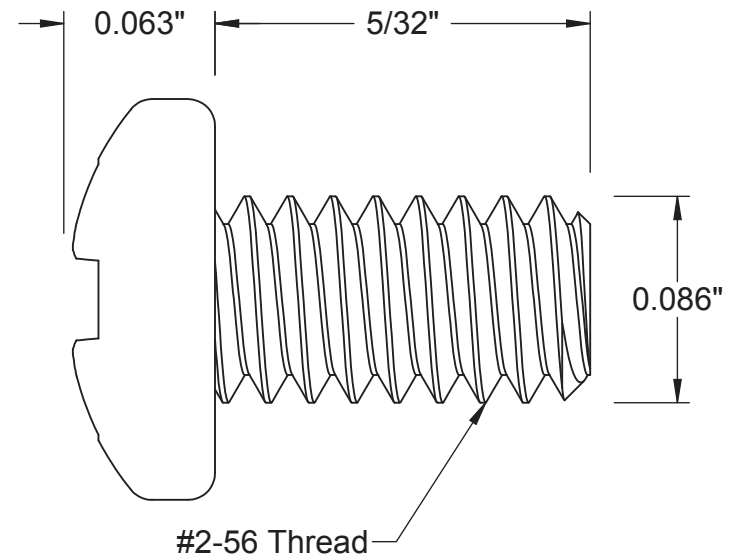
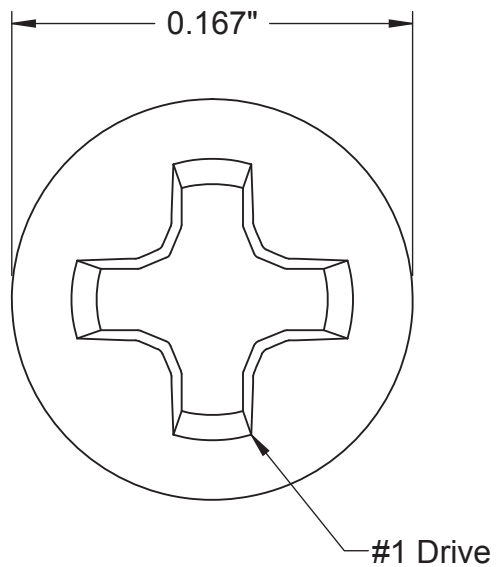
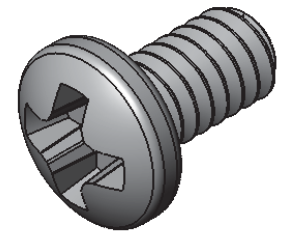


FETCO PN 1082.00124.00



<b>McMASTER-CARR</b> <small>CAD</small>	PART NUMBER	<b>91772A073</b>
<a href="http://www.mcmaster.com">http://www.mcmaster.com</a>		Pan Head Phillips
© 2012 McMaster-Carr Supply Company		Machine Screw
Information in this drawing is provided for reference only.		