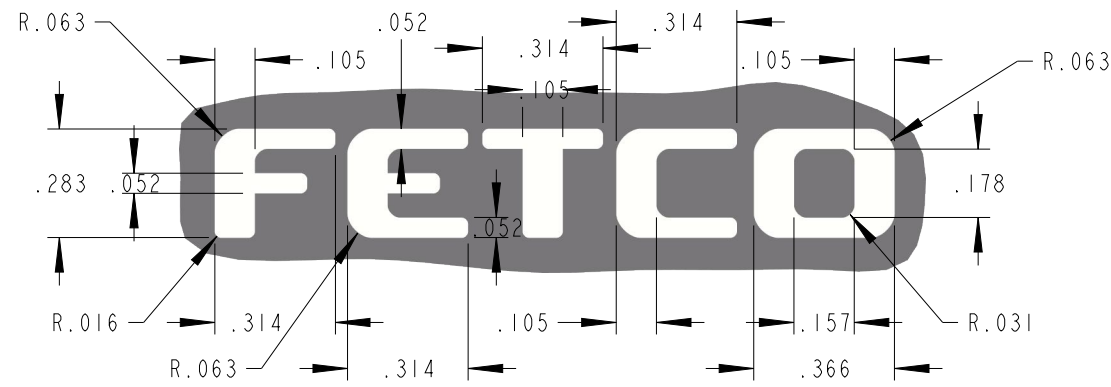
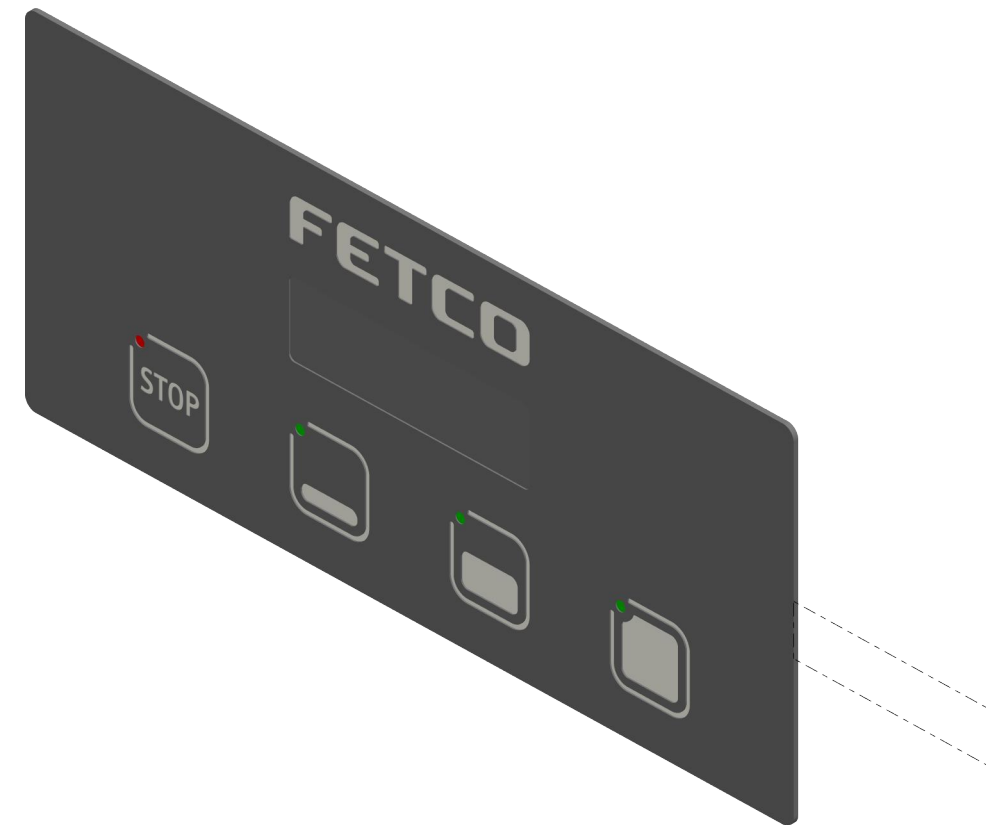


REVISIONS

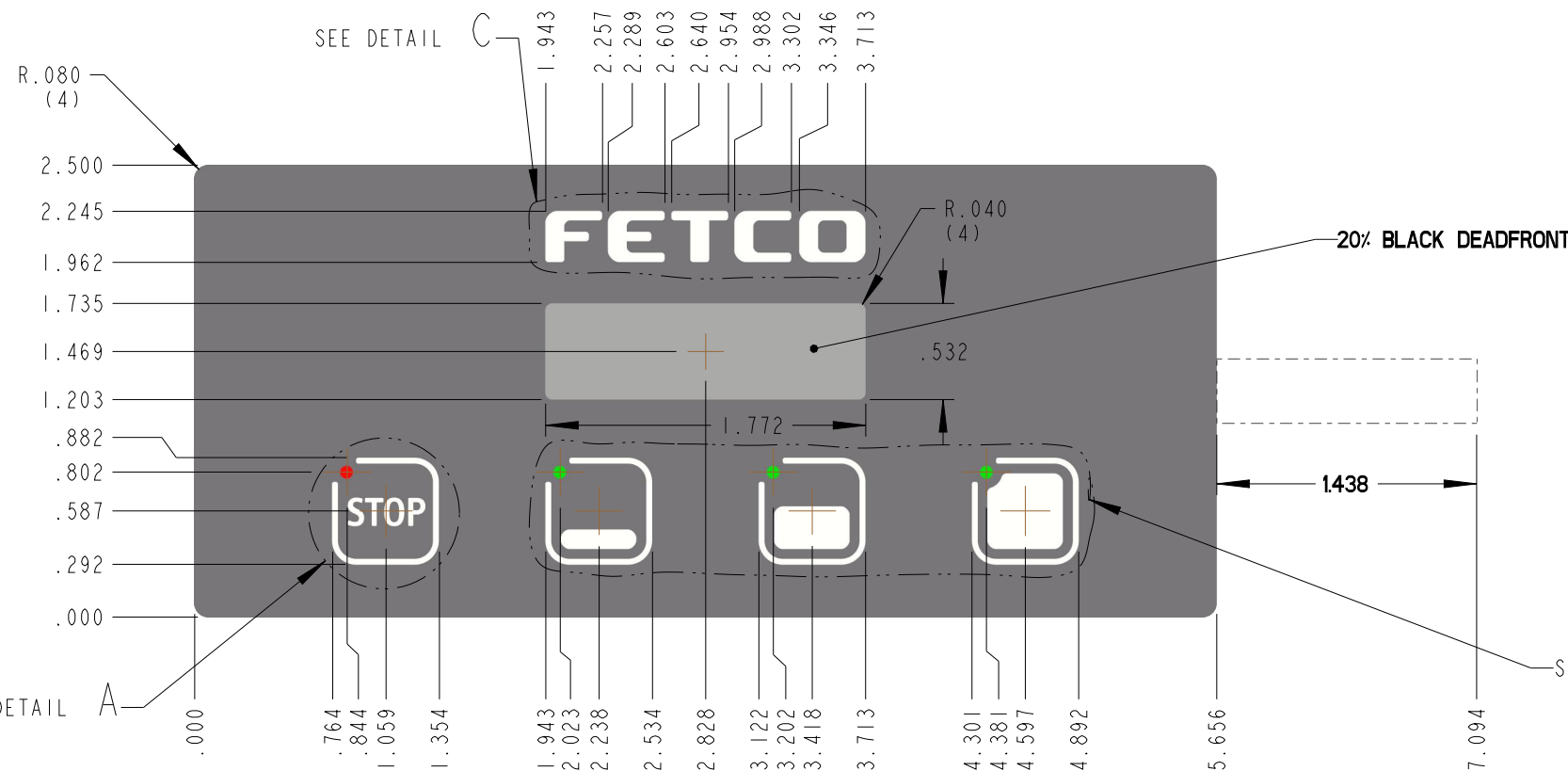
REV	DATE	ECO NO	DESCRIPTION	BY:	A
A	01/13/2017	N/A	ORIGINAL	DK	



DETAIL C
SCALE 2.000



SCALE 1.000



SCALE 1.000

SEE DETAIL A

SEE DETAIL B

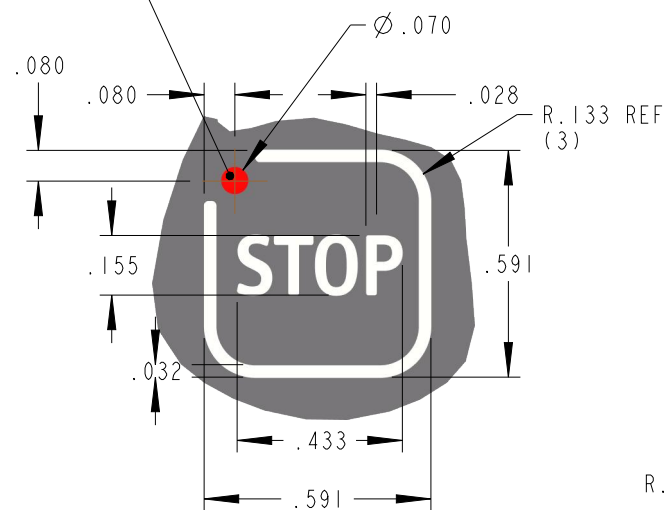
20% BLACK DEADFRONT

CLEAR LED WINDOWS

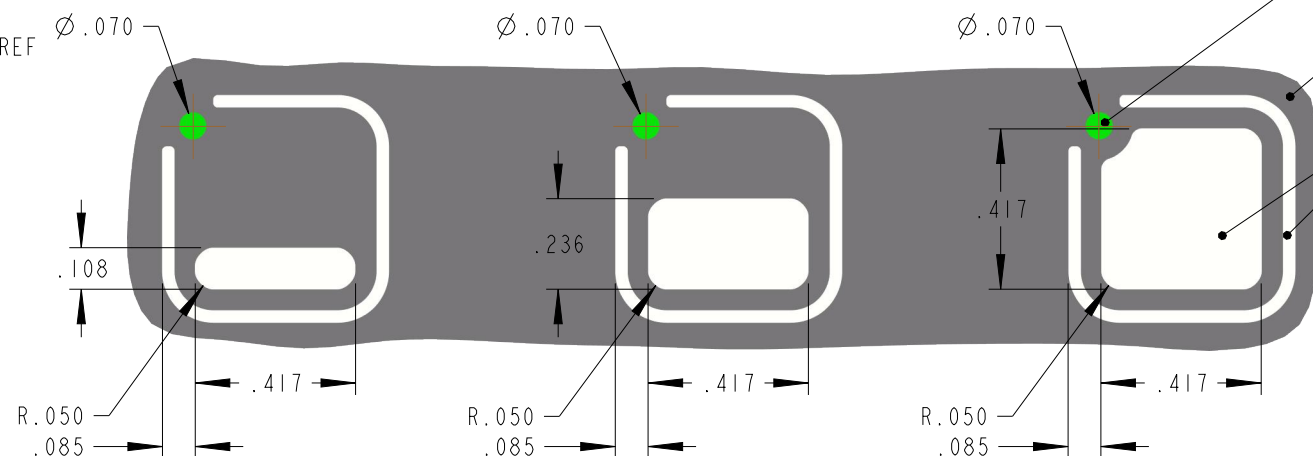
CLEAR LED WINDOWS

PANTONE 7540C
(RAL 000 30 00)

WHITE



DETAIL A
SCALE 2.000



DETAIL B
SCALE 2.000

TOLERANCES		UNLESS OTHERWISE SPECIFIED	
ALL DIMENSIONS IN INCHES	ALL DECIMAL ± .005"	ANGULAR ± 1/2°	THIRD-ANGLE
MATERIAL	N/A	GAUGE	N/A
FINISH	N/A	REVISION	A

FETCO FOOD EQUIPMENT TECHNOLOGIES COMPANY 600 ROSE ROAD, LAKE ZURICH, IL 60047, USA PHONE: (800) 338-2699 (847) 719-3002 E-MAIL: engineering@fetco.com www.fetco.com			
DRAWING NAME: MEMBRANE SWITCH, TBS-2100ee SERIES, SINGLE			
CREATED BY: DK	DATE: 01/13/2017	DRAWING NO. 1058.00054.00	
DRAWING BY: DK	SCALE: 0.500	REVISION: A	
APP'D BY:	SHEETS: 1 of 1	FINISH: N/A	